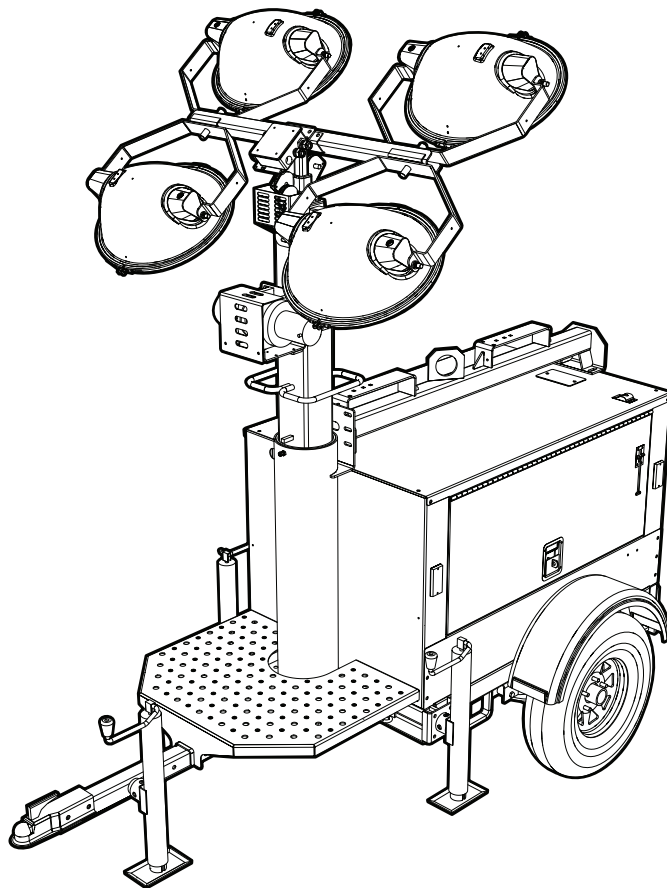


MLT3060MV • MLT3060KV

Diesel Light Tower Parts Manual



02636

MODEL NUMBER: _____

SERIAL NUMBER: _____

DATE PURCHASED: _____

SAVE THIS MANUAL FOR FUTURE REFERENCE

 **WARNING**

CANCER AND REPRODUCTIVE HARM

www.P65Warnings.ca.gov

(000393a)

 **WARNING**

Breathing diesel engine exhaust exposes you to chemicals known to the State of California to cause cancer and birth defects or other reproductive harm.

- Always start and operate the engine in a well-ventilated area.
- If in an enclosed area, vent the exhaust to the outside.
- Do not modify or tamper with the exhaust system.
- Do not idle the engine except as necessary.

For more information go to

www.P65Warnings.ca.gov/diesel

(000394)

Introduction

This parts manual was prepared based on the information available at the time of publication and is subject to change without notice. Generac Mobile Products reserves the right to change parts at any time. To check whether a revised parts manual is available, contact Generac Mobile Products.

DO NOT MODIFY or use this equipment for any application other than which it was designed for. To keep your equipment fully operational, it is suggested you maintain a stock of commonly used maintenance or service parts. A recommended spare parts list can be found in the back of this manual. To order service parts, please go to www.generacmobileproducts.com or call Generac Mobile Products.

⚠ WARNING

Environmental Hazard. Always recycle batteries at an official recycling center in accordance with all local laws and regulations. Failure to do so could result in environmental damage, death or serious injury.

(000228)



⚠ WARNING

Consult Manual. Read and understand manual completely before using product. Failure to completely understand manual and product could result in death or serious injury.

(000100a)

GENERAC MOBILE PRODUCTS LLC

215 Power Drive • Berlin, WI 54923 U.S.A.

Phone: 920-361-4442

FAX: 920-361-4416

Toll Free: 1-800-926-9768

www.generacmobileproducts.com

For technical or parts QUESTIONS, please contact the Generac Mobile Products Technical Service team at 1-800-926-9768.

Engine Make: _____

Engine Serial Number: _____

Engine Model Number: _____

Generator Make: _____

Generator Model Number: _____

Generator Serial Number: _____

Unit Model Number: _____

Unit Serial Number: _____

This Page Intentionally Left Blank

Table of Contents

Introduction	iii
Parts Manual Instructions	1
Unit Decals - Exterior	2
Unit Decals - Right Side Interior	4
Unit Decals - Left Side Interior	6
Mast, Junction Box and Lights to Unit	8
Light Assembly 1000-1050W	10
Light Assembly 1100W	12
Mast Junction Box Assembly	14
Mast Assembly	16
Mast Assembly - Bottom Post	18
Roof and Doors to Unit	20
Front, Rear, and Side Panels to Unit	22
Mast Switch Box Assembly	24
Control Box to Unit	26
Control Box Assembly	28
Control Panel Assembly	30
Cooling System Assembly	32
Engine and Generator to Unit	34
Engine Assembly - Mitsubishi Left Side	36
Engine Assembly - Mitsubishi Right Side	38
Engine Assembly - Kubota Left Side	40
Engine Assembly - Kubota Right Side	42
Generator Assembly	44
Fuel Tank and Ballast Boxes to Unit	46
Trailer Assembly	48
Axle Assembly	50
Recommended Spare Parts - Engine and Service Kits - Mitsubishi	52
Recommended Spare Parts - Engine and Service Kits - Kubota	54
Recommended Spare Parts - Electrical	56
Recommended Spare Parts - Misc	58

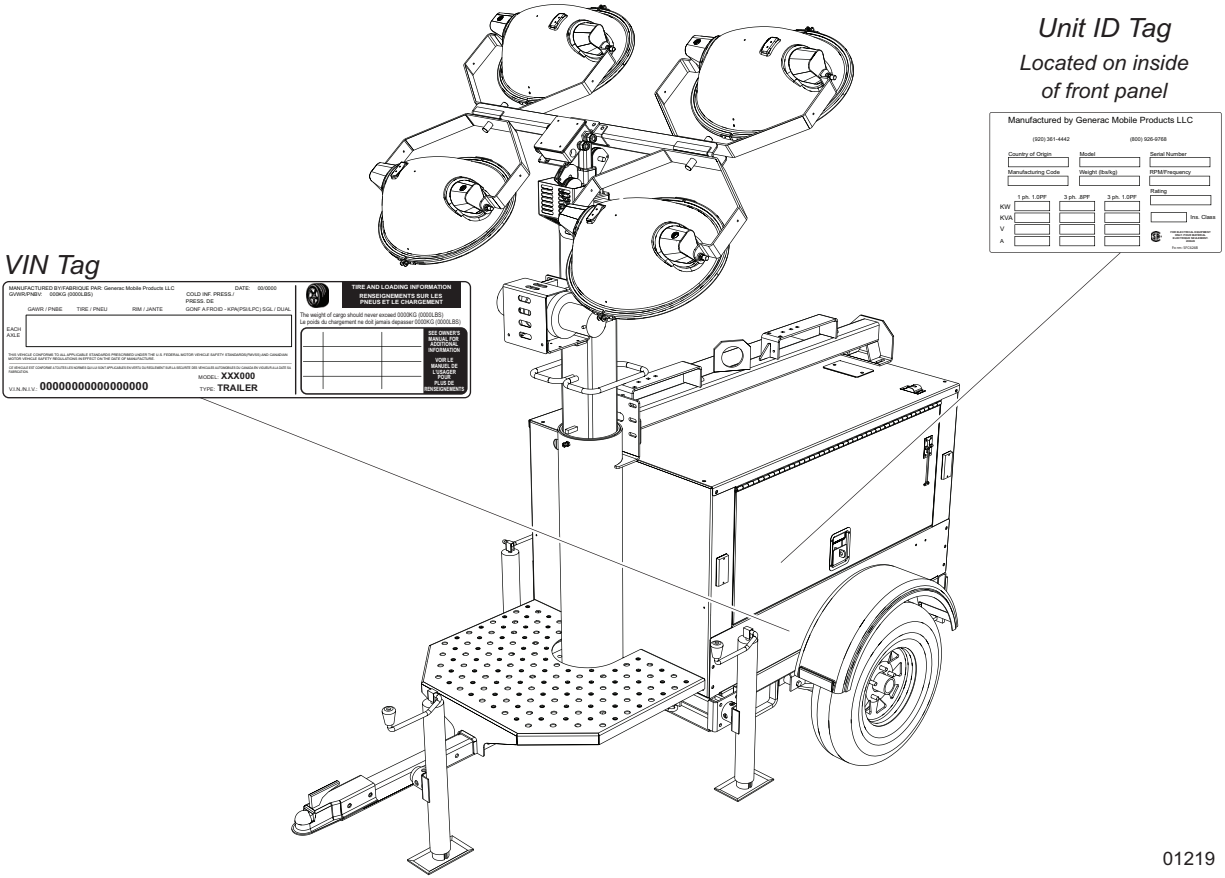
This Page Intentionally Left Blank

Parts Manual Instructions

Product illustrations are only representations. Products supplied may vary from the illustrations in this parts manual. Parts not shown in the illustration are indicated by a double dash (--) in the item column.

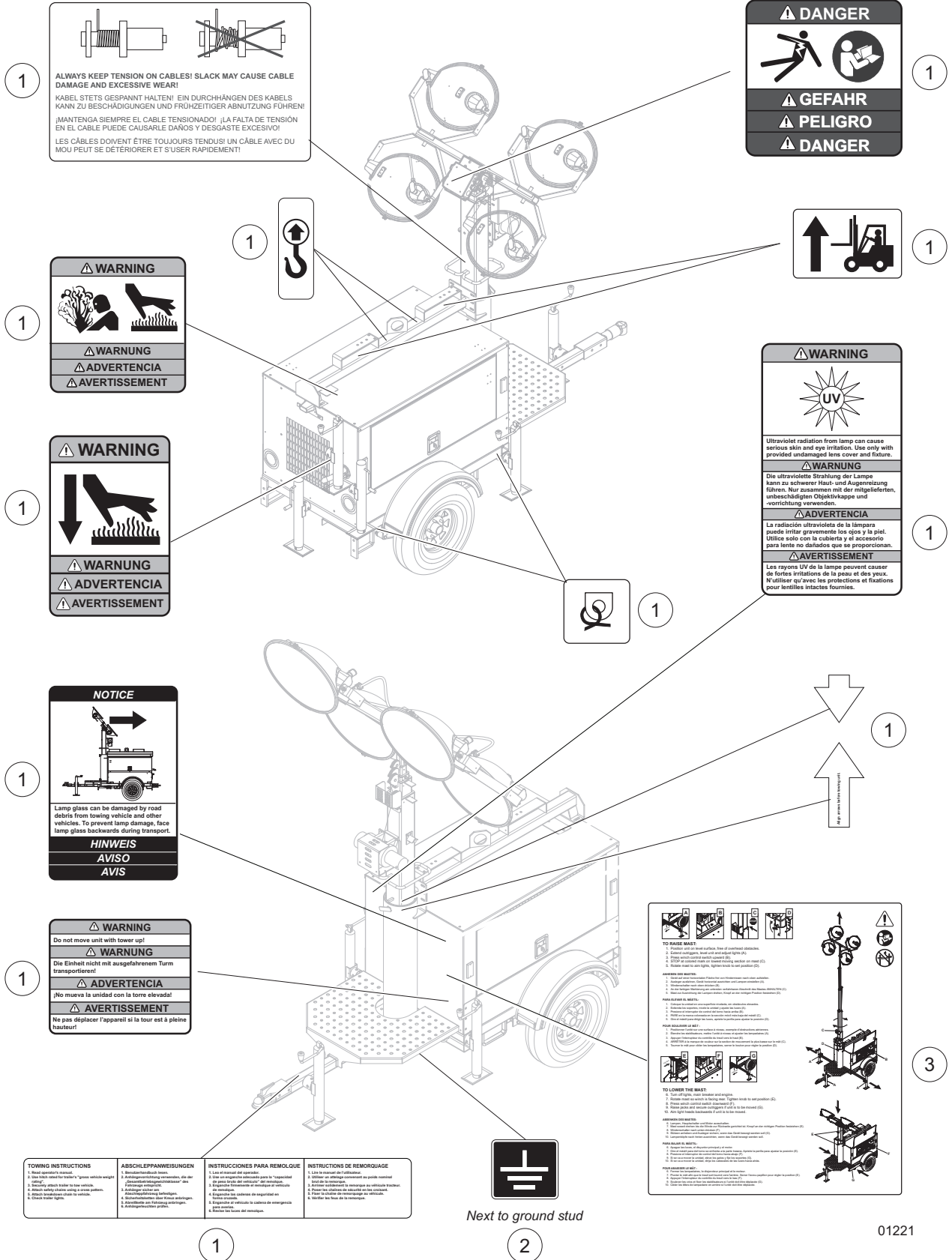
Please be prepared to provide the following information when ordering replacement parts: model number, serial number (on unit serial tag), part number, purchase order number (if applicable), shipping address, shipping method.

Refer to the illustration below to locate the unit ID tag and Vehicle Identification Number (VIN) tag on the unit. Important information, such as the unit serial number, model number, VIN and tire loading information are found on these tags. Record the information from these tags so it is available if the tags are lost or damaged. When ordering parts or requesting assistance, you may be asked to provide this information.



01219

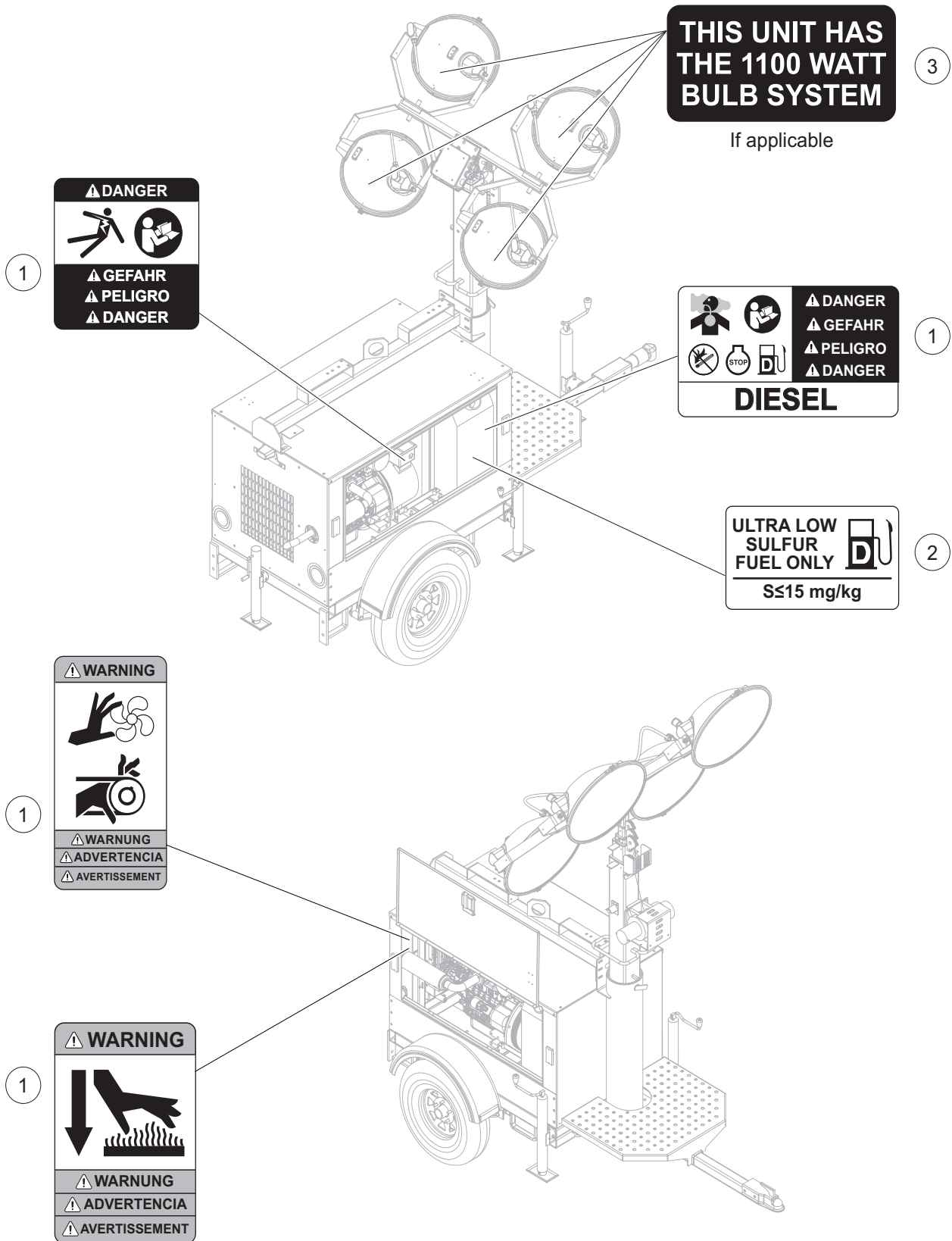
UNIT DECALS - EXTERIOR



UNIT DECALS - EXTERIOR

Item	Part No.	Qty	Description	Notes
1	33953	1	Decal set, safety	
2	12142	1	Decal, ground	
3	33323	1	Decal, mast set-up, vertical	

UNIT DECALS - RIGHT SIDE INTERIOR



01222

UNIT DECALS - RIGHT SIDE INTERIOR

Item	Part No.	Qty	Description	Notes
1	33953	1	Decal set, safety	
2	27433	1	Decal, low sulfur	
3	10000030392	4	Decal, 1100W bulb system	one each lamp
--	10000031782	2	Cable tie, with decal 10000030392	one on main har- ness one on light harness

UNIT DECALS - LEFT SIDE INTERIOR



ENGINE OPERATION / MOTORBETRIEB / FUNCIONAMIENTO DEL MOTOR / FONCTIONNEMENT DU MOTEUR:

1 BEFORE STARTING THE ENGINE / VOR DEM STARTEN DES MOTORS / ANTES DE ENCENDER EL MOTOR / AVANT DE FAIRE DEMARRER LE MOTEUR:

1. CHECK FUEL LEVEL. REVERSE THE VALVE TO FUEL. VERIFIEZ LE NIVEAU D'ESSENCE. RETOURNEZ LE VENTIL DE RETOURNOISEMENT.

2. CHECK ENGINE OIL LEVEL. REVERSE THE VALVE TO OIL. VERIFIEZ LE NIVEAU D'ACIERE DU MOTOR. RETOURNEZ LE VENTIL DE RETOURNOISEMENT.

3. CHECK COOLANT LEVEL. REVERSE THE VALVE TO COOLANT. VERIFIEZ LE NIVEAU DU LIQUIDE DE REFROIDISSEMENT.

4. MAKE SURE MAIN CIRCUIT BREAKER IS OFF. TOGGLE SWITCHES TO OFF. CHECK FOR SHORTS. VERIFIEZ QUE LE DISJONCTEUR PRINCIPAL EST DESACTIVE.

2 ALL CIRCUIT BREAKERS OFF! / ALLE TRENNSCHALTER SIND AUSGESCHALTET! / TODOS LOS CORTACIRCUITOS ESTAN APAGADOS! / TOUS LES DISJONCTEURS DU CIRCUIT SONT DESACTIVES!

3 START ENGINE / MOTOR STARTEN / ENCIENDA EL MOTOR / FAIRE DEMARRER LE MOTEUR

ACTIVATOR / ACTIVATION: CRANK ENGINE TO START: RELEASE KEY:

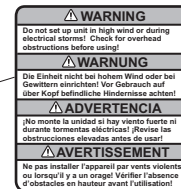
4 TURN CIRCUIT BREAKERS ON / TRENNSCHALTER EINSCHALTEN / ENCIENDA LOS CORTACIRCUITOS / ACTIVER LES DISJONCTEURS DU CIRCUIT

SHUT DOWN / AUSSCHALTEN / APAGUE / ETEINDRE

5 ALL CIRCUIT BREAKERS OFF! / ALLE TRENNSCHALTER SIND AUSGESCHALTET! / TODOS LOS CORTACIRCUITOS ESTAN APAGADOS! / TOUS LES DISJONCTEURS DU CIRCUIT SONT DESACTIVES!

6 STOP ENGINE / MOTOR STOPPEN / DETENEA EL MOTOR / ETEINDRE LE MOTEUR

STOP: START:



WARNING

Read and understand the supplied operator's manual before operating this machine. Failure to do so increases the risk of injury to yourself or others.

ADVERTENCIA

Vor dem Betrieb dieser Maschine muss das Bedienerhandbuch gelesen und verstanden worden sein. Ein Unterlassen erhöht das eigene Verletzungsrisiko und das anderer.

AVERTISSEMENT

Lire y asegúrese de comprender el manual del operador proporcionado antes de operar esta máquina. De lo contrario, aumenta el riesgo de lesiones a usted y a otras personas.

AVERTISSEMENT

Lire et comprenez le manuel de l'utilisateur fourni avec l'appareil avant de l'utiliser. L'omission de le faire augmente le risque de blessure pour vous et pour les autres.



2

3

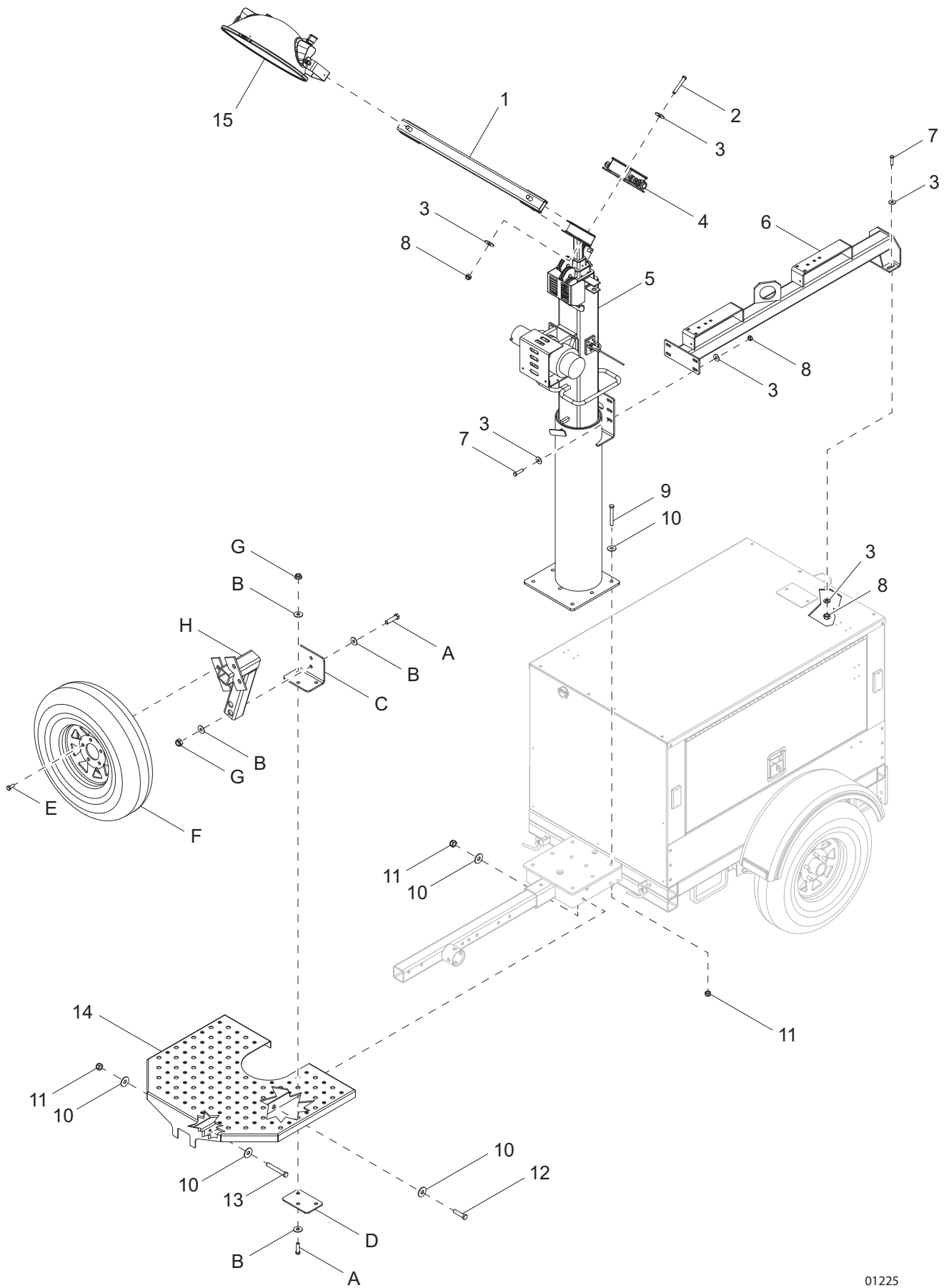
1

1

UNIT DECALS - LEFT SIDE INTERIOR

Item	Part No.	Qty	Description	Notes
1	33953	1	Decal set, safety	
2	12142	1	Decal, ground	
3	33552	1	Decal, mast up/down	

MAST, JUNCTION BOX AND LIGHTS TO UNIT

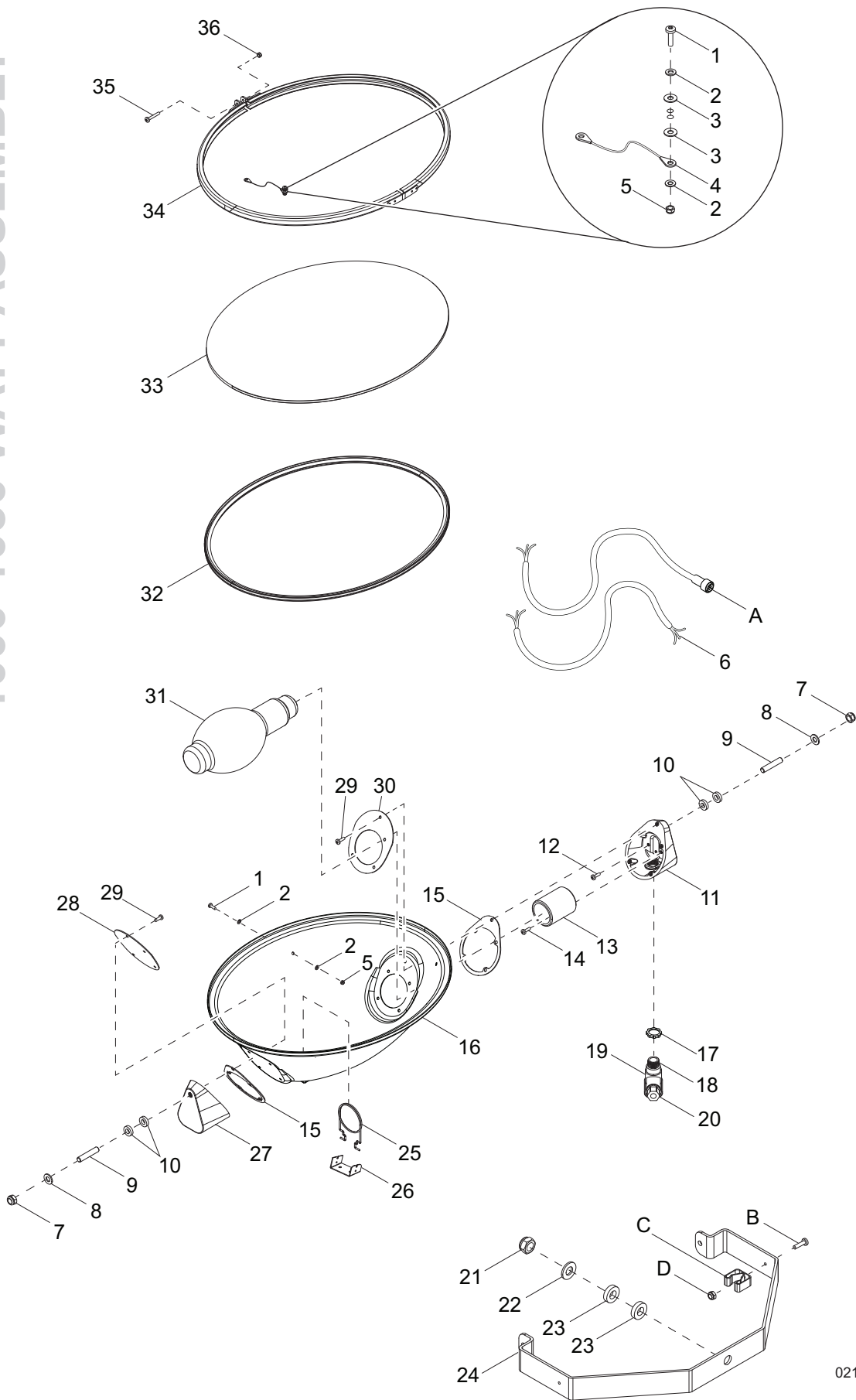


01225

MAST, JUNCTION BOX AND LIGHTS TO UNIT

Item	Part No.	Qty	Description	Notes
1	13527B	1	Weldment, mast crossbar	
2	60753	2	Screw, .375-16 x 3.50 standard hex, G5	
3	60698	12	Washer, .375 flat .875/.040, SS	
4	11789SRV	1	Assembly, mast junction box	Page 14
5	33228SRV	1	Assembly, mast vertical	Page 16
6	33041B	1	Weldment, lift support	
7	61036	4	Screw, .375-16 x 1.250 standard hex, SS	
8	60358	6	Nut, .375-16 nylock, G5	
9	60683	6	Screw, .500-13 x 1.50 standard hex, SS	
10	60309	12	Washer, .500 flat 1.060/.090	
11	62221	9	Nut, .500-13 nylock, G5	
12	50215	1	Screw, .500-13 x 4.0 standard hex, G5	
13	60388	2	Screw, .500-13 x 1.50 standard hex, G5	
14	33234B	1	Weldment, step platform	
15	10000022353	4	Assembly, oval light fixture 1100W MH	Page 12
--	10000008620	4	Assembly, oval light fixture 1050W MH	Page 10
<i>Spare Tire: (if equipped)</i>				
A	60388	5	Screw, .500-13 x 1.50 standard hex, G5	
B	60309	10	Washer, .500 flat 1.060/.090	
C	35030B	1	Bracket, spare tire holder	
D	35031B	1	Plate, spare tire holder	
E	60096	5	Nut, .500-20 lug, G5	
F	15976B	1	Wheel, ST175/80D13, 1360 lb	
G	62221	5	Nut, .500-13 nylock, G5	
H	10734B	1	Weldment, spare tire holder	

1000-1050 WATT ASSEMBLY



02114

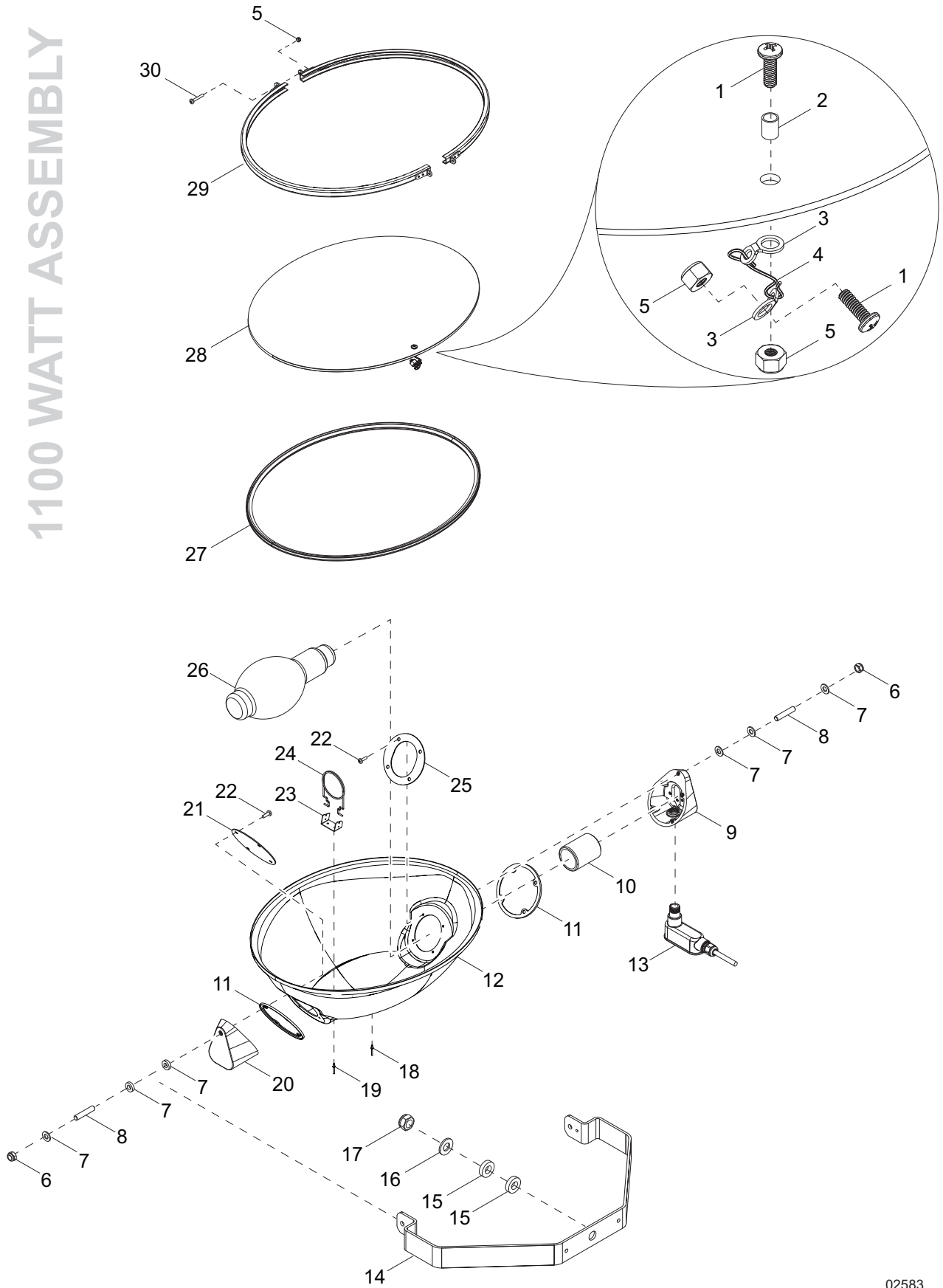
LIGHT ASSEMBLY 1000-1050W

Item	Part No.	Qty	Description	Notes
1	13399	2	Screw, 8-32 x .500 pan Phillips - SS	
2	60067	2	Washer, #10 flat .435/.060, SS	
3	13372	2	Washer, #4 nylon	
4	13370	1	Assembly, tether	
5	60051	4	Nut, M4 - .70 nylock, G8.8	
6	13438	1	Cord, power - hard wired	
7	62221	2	Nut, .500-13 nylock, G5	
8	60309	2	Washer, .500 flat .413/.787 - SS	
9	13392	2	Stud, trunnion	
10	13390	4	Washer, .500 nylon	
11	13375	1	Support, housing/trunnion with cord	
12	13393	1	Screw, M5 x 12 Phillips - green	
13	13381	1	Socket, bulb	
14	60694	2	Screw, 8-32 x .750 pan Phillips, SS	
15	13378	2	Gasket, silicone	
16	13366	1	Housing	
17	15861	1	Nut, special, .500NPT lock	
18	13386	1	Fitting, nipple - .500	
19	13387	1	Connector, weather tight	
20	15864	1	Strain relief, .500NPT watertight, .270/.464 ID	
21	60584	1	Nut, .750-10 nylock, G5	
22	60247	1	Washer, .750 flat 2.020/.130	
23	63357	2	Washer, .750 flat 2.0/.062 plastic	
24	13368	1	Trunnion	
25	13892	1	Support, bulb	
26	10000022390	1	Bracket, light holder	
27	13374	1	Support, housing/trunnion w/out cord	
28	13377	1	Bracket, end plate	
29	13388	10	Screw, M5 x 12 slotted hex w/flange	
30	13376	1	Bracket, socket end	
31	10000022381	1	Bulb, metal halide 1100W (replaces 10000008611)	
32	10000022305	1	Gasket, lens	
33	10000022371	1	Lens, glass	
34	13367	1	Assembly, aluminum ring	
35	60167	1	Screw, M5-.80 x 35 pan Phillips, G4.8	
36	60038	2	Nut, M5 - .80 nylock, G6	
--	10000008620	4	Assembly, light fixture 1050W non-quick disc. - oval	Items 1-35

Quick Disconnect: (if equipped)

A	13383	1	Cord, power - quick disconnect
B	60398	1	Screw, 10-32 x .500 pan Phillips, SS
C	19041	1	Clip, spring holder
D	60061	1	Nut, 10-32 nylock, G5
E	10000008612	1	Assembly, light fixture/QD cord clip

1100 WATT ASSEMBLY

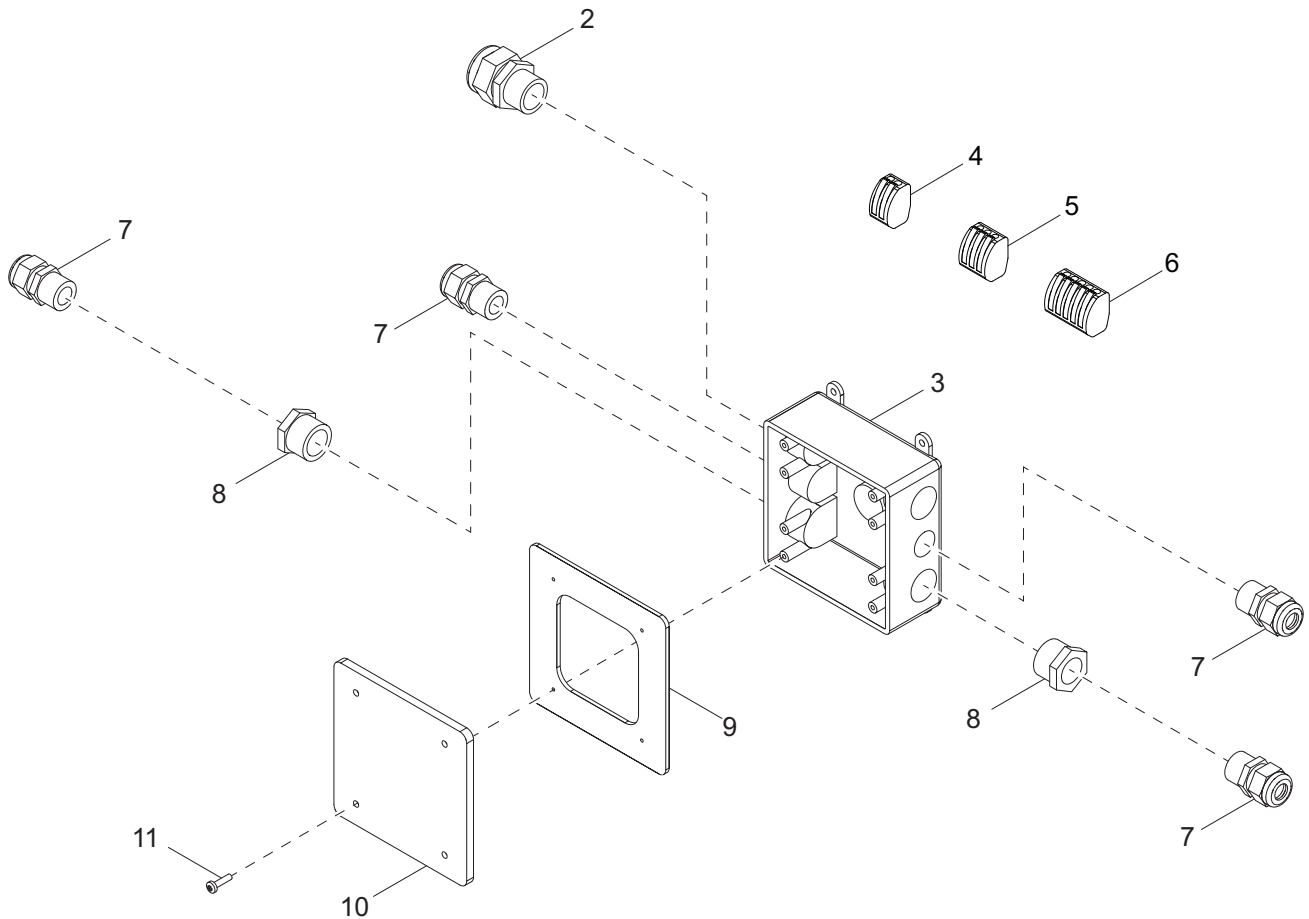
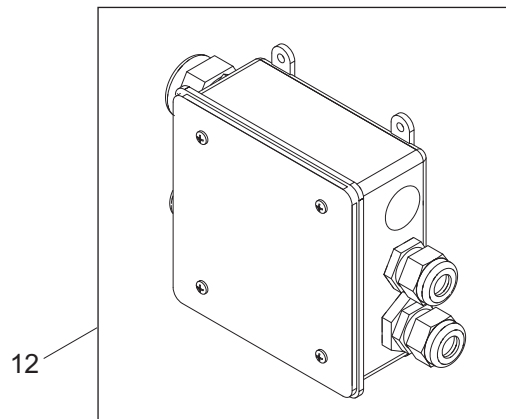
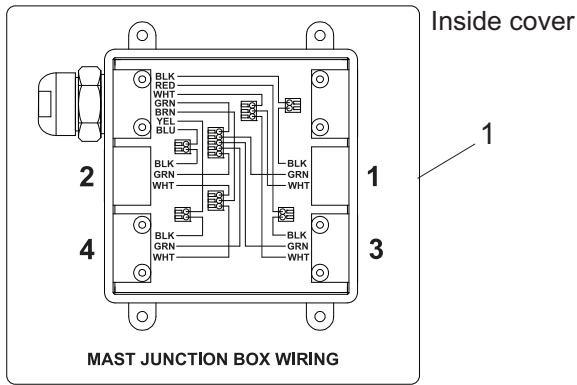


02583

LIGHT ASSEMBLY 1100W

Item	Part No.	Qty	Description	Notes
1	13399	2	Screw, M4 x 18 pan Phillips	
2	10000022307	1	Spacer, .177 ID x .216 OD x .275 - nylon	
3	10000022348	2	Bracket, cable lock	
4	10000022306	1	Cable, lens lock	
5	60270	4	Nut, 8-32 hex nylock, G6	
6	60358	2	Nut, .375-16 hex nylock, G5	
7	60027	6	Washer, M10 flat	
8	10000022401	2	Stud, .375-24 x 2.00	
9	10000022356	1	Support, with cord	
10	13381	1	Socket, HID light	
11	10000022355	2	Gasket, silicone	
12	10000022370	1	Housing	
13	10000022392	1	Connector, weather tight	
14	10000022410	1	Bracket, trunnion HID light	
15	63357	2	Washer, .750 flat 2.0/.062 plastic	
16	60247	1	Washer, .750 flat 2.020/.130	
17	60584	1	Nut, .750-10 nylock, G5	
18	10000022383	2	Rivet, .134 diameter x .09 to .125 grip - SS	
19	10000022420	2	Rivet, .094 diameter x .09 to .240 grip - SS	
20	10000022354	1	Support, without cord	
21	10000022329	1	Bracket, non socket end	
22	13388	8	Screw, M5 x 12 slotted hex w/flange	
23	10000022390	1	Bracket, light holder	
24	13892	1	Support, bulb	
25	10000022357	1	Bracket, socket end	
26	10000022381	1	Bulb, metal halide 1100W	
27	10000022305	1	Gasket, lens	
28	10000022371	1	Lens, glass	
29	10000022400	2	Bracket, lens HSG secure	
30	10000022359	2	Screw, 8-32 x 1.500 pan Phillips - SS	
--	10000022353	4	Assembly, oval light fixture 1100W MH	

MAST JUNCTION BOX ASSEMBLY

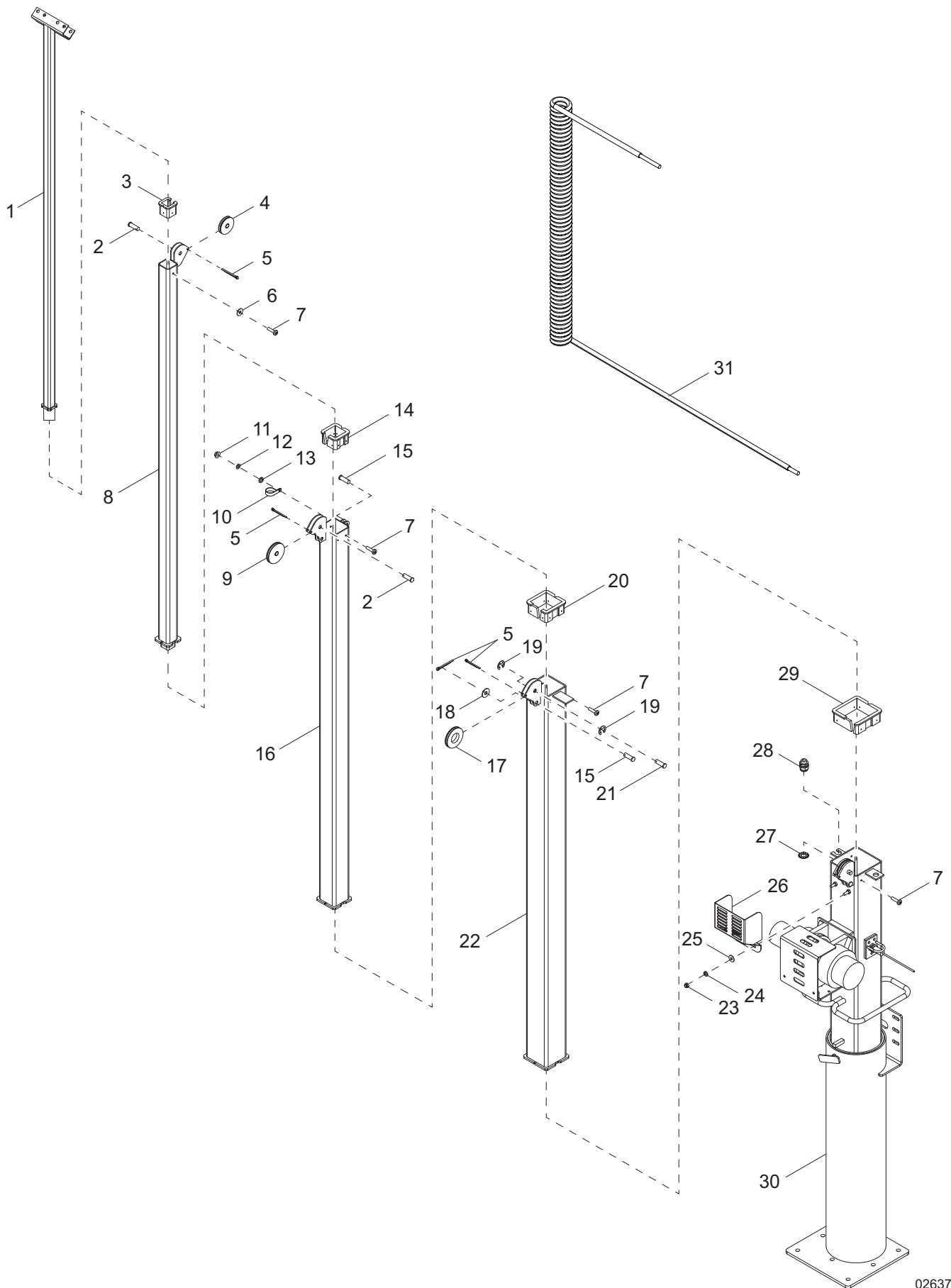


00000

MAST JUNCTION BOX ASSEMBLYSRV

Item	Part No.	Qty	Description	Notes
1	37215	1	Decal, mast junction box wiring	
2	14656	1	Strain relief, .750NPT water tight	
3	12094	1	Box, junction	
4	66100	4	Connector, 2 position.	
5	66101	2	Connector, 3 position.	
6	66102	1	Connector, 5 position.	
7	15864	4	Strain relief, .500NPT water tight	
8	60755	2	Fitting, strt .750MNPT x .500FNPT, nylon	
9	13749SRV	1	Gasket, junction box - HFI 281000	
10	12109	1	Cover, box, 2-gang plastic	
11	60424	4	Screw, 6-32 x .750 pan Phillips, G2	
12	11789SRV	1	Assembly, mast junction box	

MAST ASSEMBLY

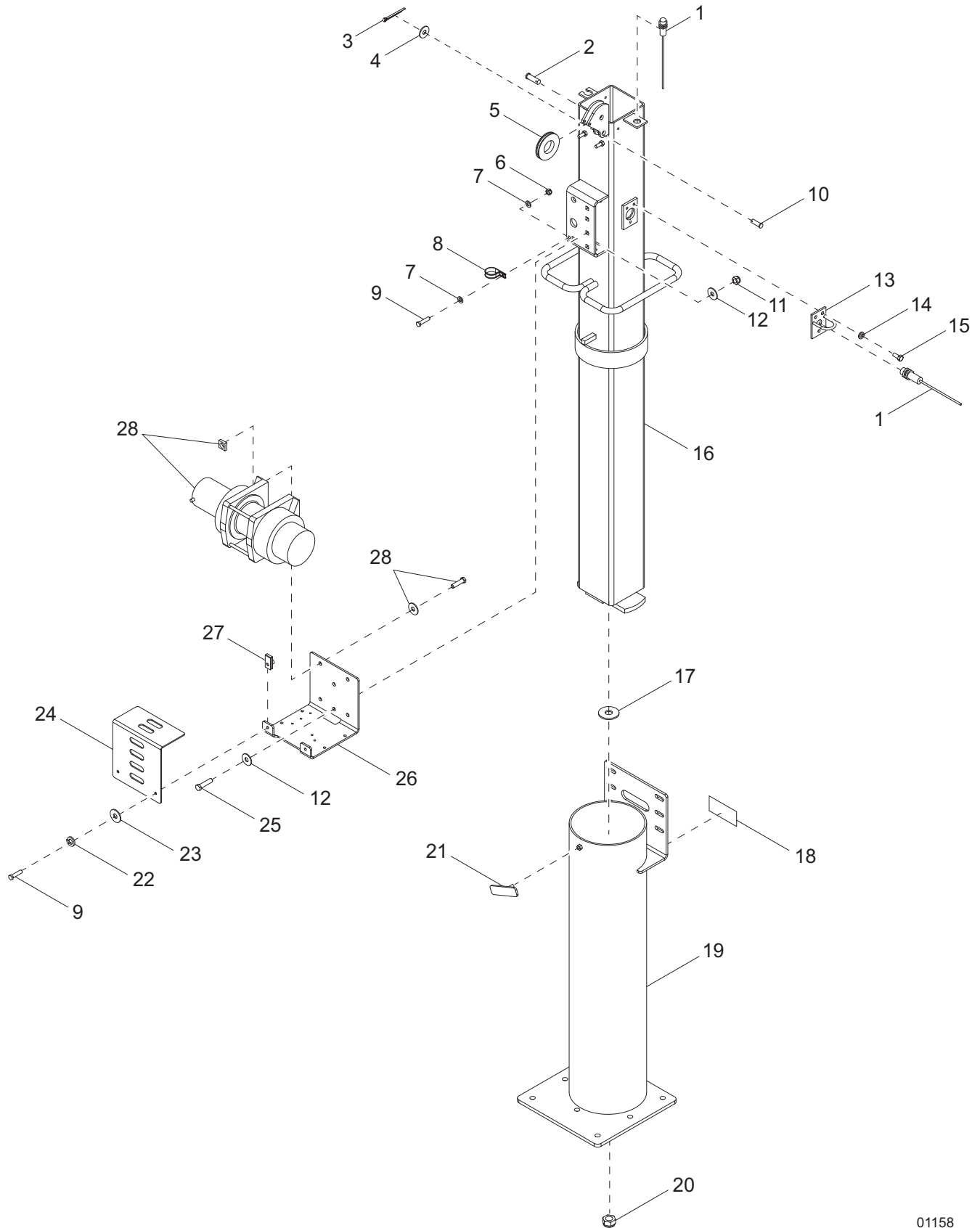


02637

MAST ASSEMBLY

Item	Part No.	Qty	Description	Notes
1	32015B	1	Weldment, mast section, 1.25 in	
2	63279	2	Pin, clevis - .500 dia x .780	
3	32409	1	Shim, 2 x 2 tube	
4	32524	1	Sheave, 2.50 in	
5	15380	4	Pin, cotter - .125 x 1.25	
6	60067	2	Washer, #10 flat .435/.060, SS	
7	32569	14	Screw, 8-16 x .375 pan Phillips, SS	
8	32010B	1	Weldment, mast section, 2 in	
9	14262	1	Sheave, 3 in	
10	15627	1	Clamp, tubing - .625 heavy-duty	
11	60140	1	Nut, .375-16 hex, G5	
12	60206	1	Washer, .375 split lock	
13	60386	1	Washer, .375 flat .993/.064	
14	13789	1	Shim, 3 x 3 tube	
15	63325	2	Pin, clevis - .500 dia x 1.063	
16	32007B	1	Weldment, mast section - 3 in	
17	33736	1	Assembly, pulley	
18	60309	1	Washer, .500 flat 1.060/.090	
19	63281	1	Clip, E-ring	
20	13790	1	Shim, 4 x 4 tube	
21	63280	1	Pin, grooved clevis - .500 dia x .780	
22	32004B	1	Weldment, mast section, 4 in	
23	60285	2	Nut, .312-18 hex, G2	
24	60271	2	Washer, .312 split lock	
25	60119	1	Washer, .312 flat .875/.070	
26	33395B	1	Guard, pulley	
27	15861	1	Nut, .500NPT lock	
28	14871	1	Strain relief, .500NPT, .500 cord	
29	32408	1	Shim, 5 x 5 tube	
30	33247B	1	Assembly, mast bottom	<i>Page 18</i>
31	33397	1	Coil cord	
--	34132	1	Cable, .188 in. x 116 in., SS	Attaches to item 30
--	34128	1	Cable, .188 in. x 69.25 in., SS	Attaches to item 22
--	34129	1	Cable, .188 in. x 69.75 in., SS	Attaches to item 16
--	34130	1	Cable, .188 in. x 67.875 in., SS	Attaches to item 8
--	10770	1	Wire group - coil cord ground extension	

MAST ASSEMBLY - BOTTOM POST

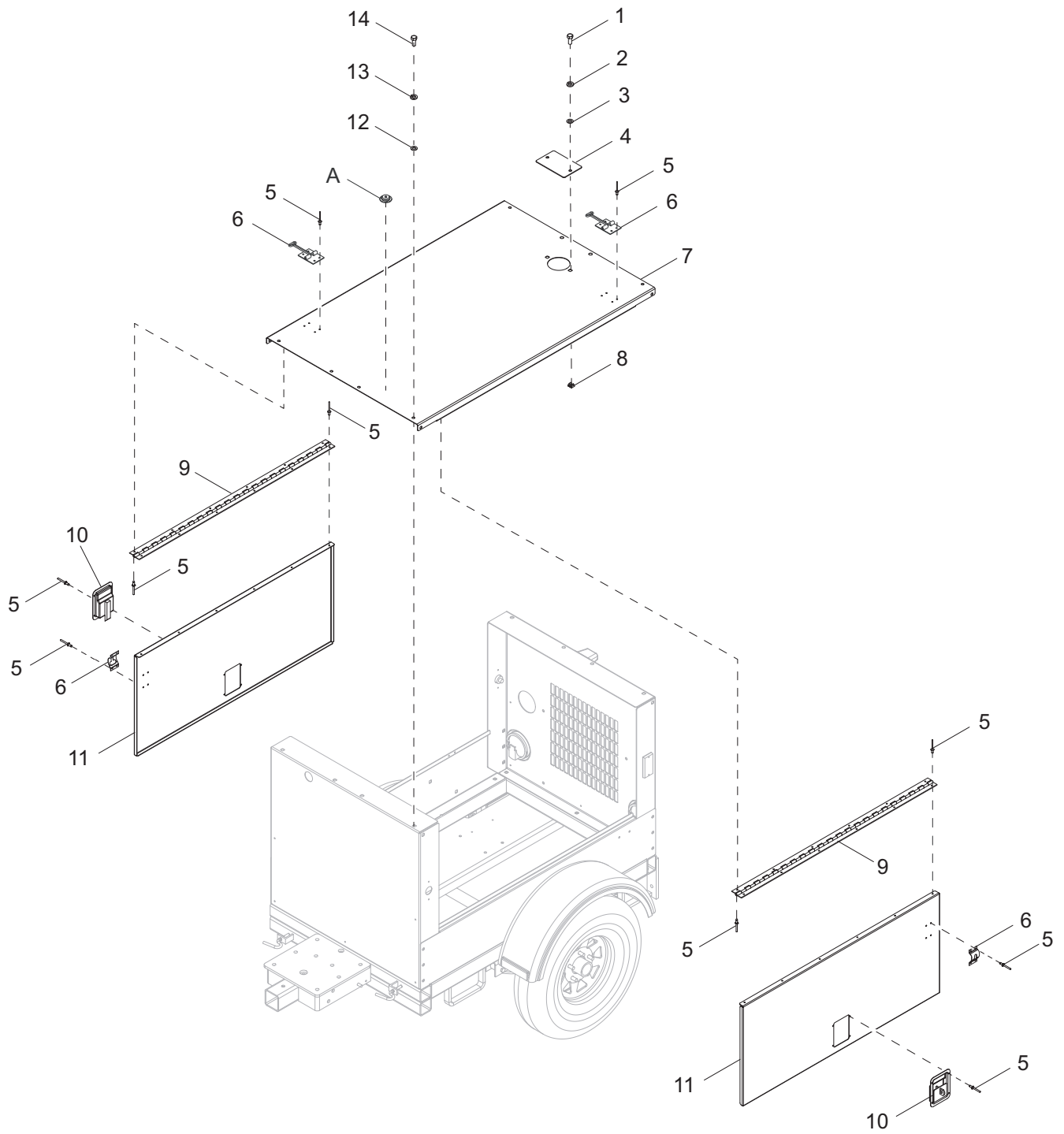


01158

MAST ASSEMBLY - BOTTOM POST

Item	Part No.	Qty	Description	Notes
1	31757	1	Sensor, proximity	
2	63325	1	Pin, clevis - .500 dia x 1.063	
3	15380	1	Pin, cotter - .125 x 1.25	
4	60309	1	Washer, .500 flat 1.060/.090	
5	33736	1	Assembly, pulley	
6	60144	1	Nut, .250-20 nylock, G5	
7	60696	2	Washer, .250 flat .625/.050, SS	
8	16143	1	Clamp, tubing - .500	
9	60393	3	Screw, .250-20 x 1.0 standard hex, G5	
10	63272	1	Pin, clevis - .500 dia x 1.25	
11	60358	2	Nut, .375-16 nylock, G5	
12	60386	4	Washer, .375 flat .993/.064	
13	13796B	1	Weldment, proximity sensor bracket	
14	60271	3	Washer, .312 split lock	
15	60168	3	Screw, .312-18 x .750 standard hex, G5	
16	33247B	1	Weldment, mast bottom - 5 in	
17	60247	1	Washer, .750 flat 2.020/.130	
18	50197	0.75 ft	Weatherstripping - .06 x 1.0	
19	33224B	1	Weldment, mast tube	
20	60584	1	Nut, .750-10 nylock, G5	
21	11649Z	1	Weldment, T-bolt	
22	60286	2	Washer, .250 split lock	
23	60243	2	Washer, .250 flat .735/.060	
24	33822B	1	Bracket, winch cover	
25	60352	2	Screw, .375-16 x 1.25 standard hex, G5	
26	33858B	1	Bracket, winch mounting	
27	61143	2	Nut, .250-20 u-clip - short type	
28	34293	1	Winch, electric - 950 lb hoist	
--	17936	1	Wire group - electric winch	
--	31759	1	Wire group - winch battery power cables	
--	31758	1	Wire group - winch power cables	
--	31757	1	Wire group - proximity sensor	

ROOF AND DOORS TO UNIT

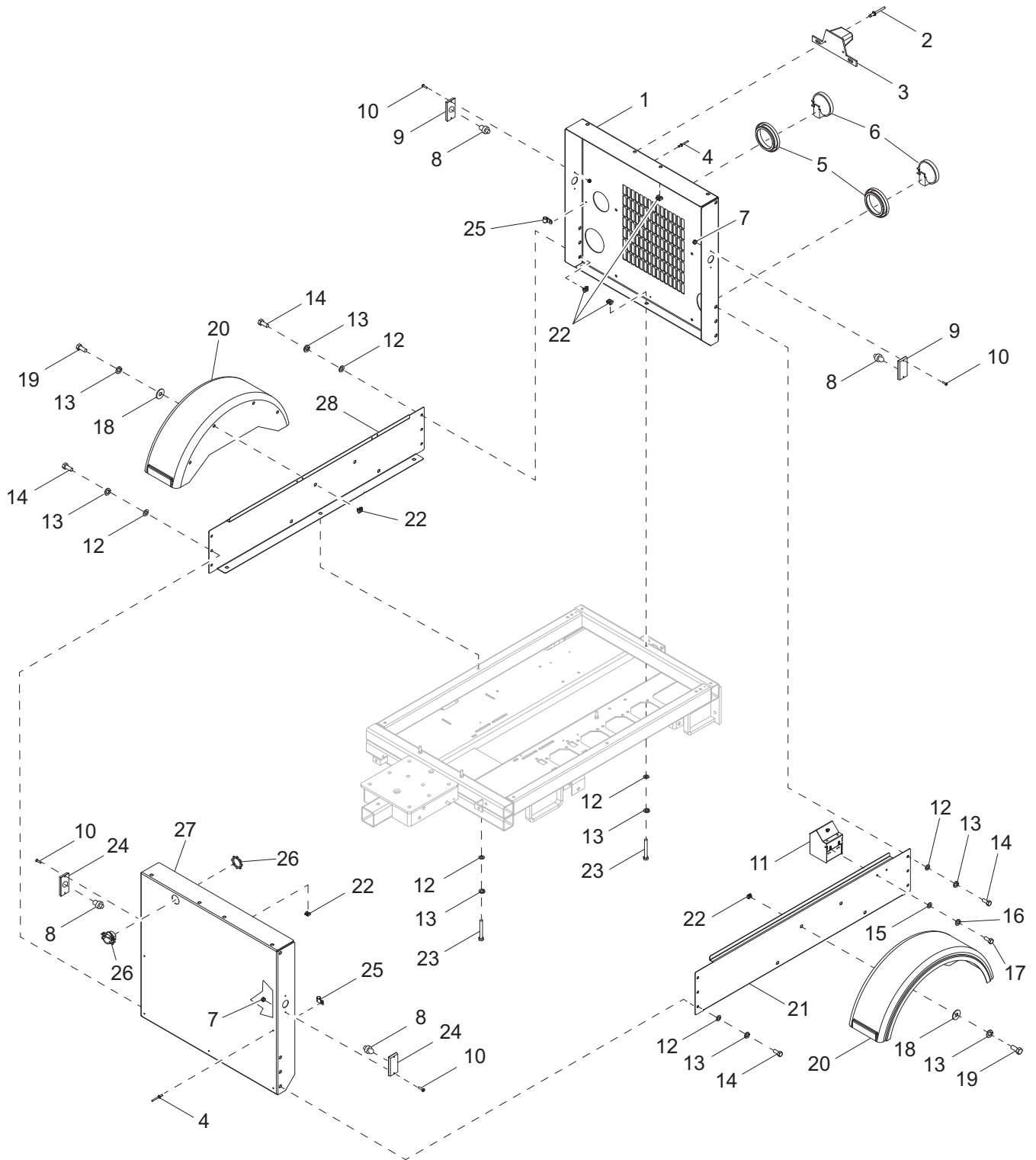


01226

ROOF AND DOORS TO UNIT

Item	Part No.	Qty	Description	Notes
1	60507	2	Screw, .312-18 x 1.0 standard hex, SS	
2	60701	2	Washer, .312 split lock, SS	
3	60340	2	Washer, .312 flat .875/.040, SS	
4	11096W	1	Panel, radiator access	
5	60268	48	Rivet, .188 dia x .126 to .250 grip, SS	
6	12605	2	Door latch, T-style, SS	
7	11062W	1	Panel, top	
8	15425	2	Nut, .312-18 cage	
9	11095	2	Hinge, continuous - 43.0	
10	15123	2	Latch, paddle - w/7lb spring	
11	11066W	2	Panel, door	
12	60698	10	Washer, .375 flat .875/.040, SS	
13	60703	10	Washer, .375 split lock, SS	
14	60690	10	Screw, .375-16 x 1.0 standard hex, SS	
<i>Level Indicator: (if equipped)</i>				
A	14433	1	Level, eye	

FRONT, REAR, AND SIDE PANELS TO UNIT

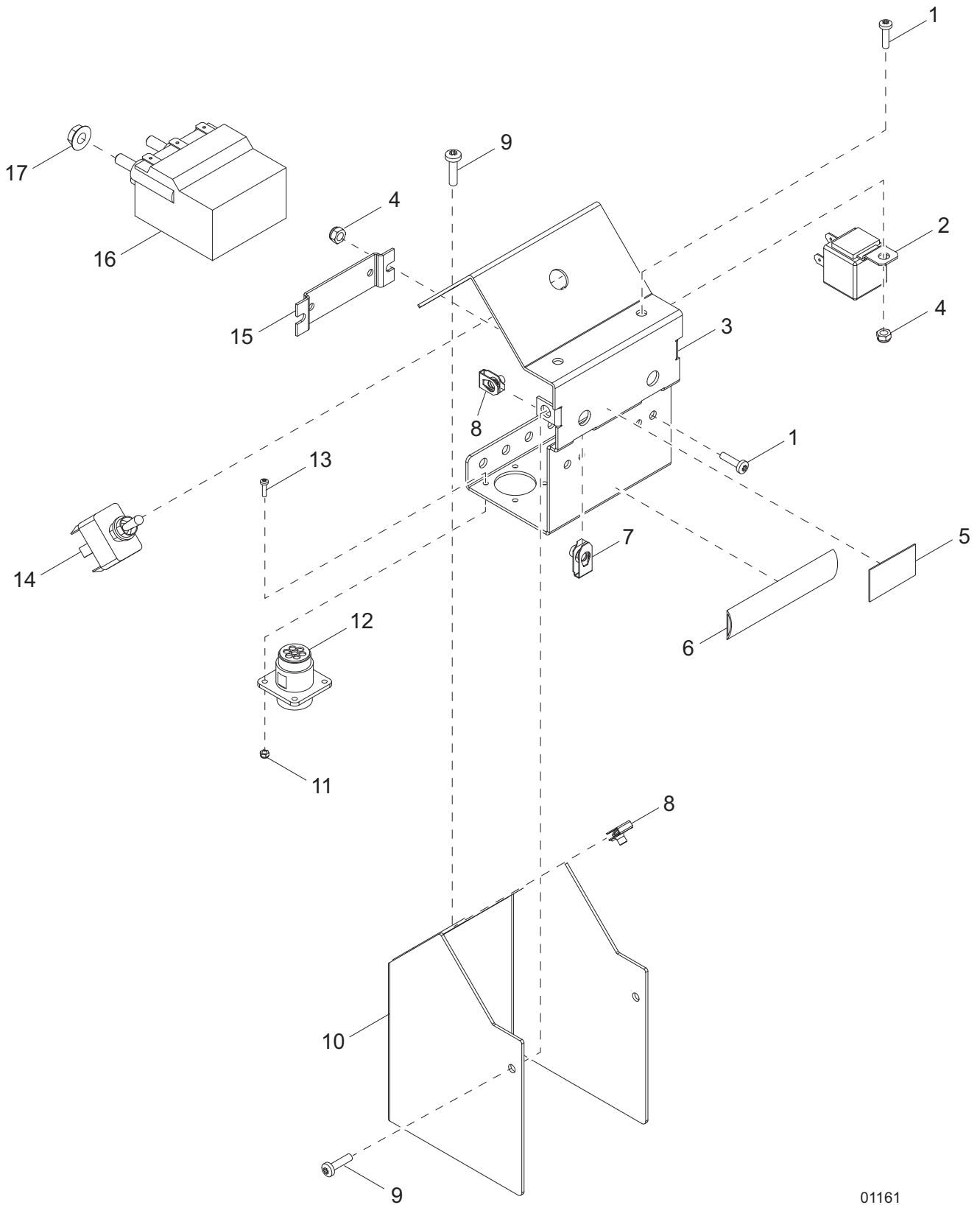


01227

FRONT, REAR, AND SIDE PANELS TO UNIT

Item	Part No.	Qty	Description	Notes
1	11060W	1	Panel, rear	
2	60423	2	Rivet, .188 dia x .250 to .375 grip	
3	10223	1	Assembly, license plate light/holder	
4	60268	10	Rivet, .188 dia x .126 to .250 grip, SS	
5	10221	2	Grommet, rear light, rubber 4.5 in	
6	10220	2	Light, rear tail/turn, round, no grommet	
7	60270	8	Nut, 8-32 nylock, class 6	
8	65661	4	Bulb - light, clearance marker	
9	66372	2	Lens, red - light, clearance marker	
10	61180	8	Screw, 8-32 x .750 pan Phillips, SS	
11	33471	1	Assembly, mast switch box	Page 24
12	60698	21	Washer, .375 flat .875/.040, SS	
13	60703	29	Washer, .375 split lock, SS	
14	60690	12	Screw, .375-16 x 1.0 standard hex, SS	
15	60696	2	Washer, .250 flat .625/.050, SS	
16	60704	2	Washer, .250 split lock, SS	
17	60684	2	Screw, .259-20 x .875 standard hex, SS	
18	60729	8	Washer, .375 fender 1.50/.090	
19	60295	8	Screw, .375-16 x .750 standard hex, SS	
20	16560	2	Fender, plastic shell	
21	12015W	1	Panel, side - left	
22	60657	37	Nut, .375-18 cage	
23	60689	9	Screw, .375-16 x 4.0 standard hex, SS	
24	66373	2	Lens, amber - light, clearance marker	
25	15628	10	Clamp, wire .38 plastic	
26	66425	1	Strain relief - 1.25 Romex w/nut	
27	33748W	1	Panel, front	
28	12014W	1	Panel, side - right	
--	12101	1	Wiring, trailer	

MAST SWITCH BOX ASSEMBLY

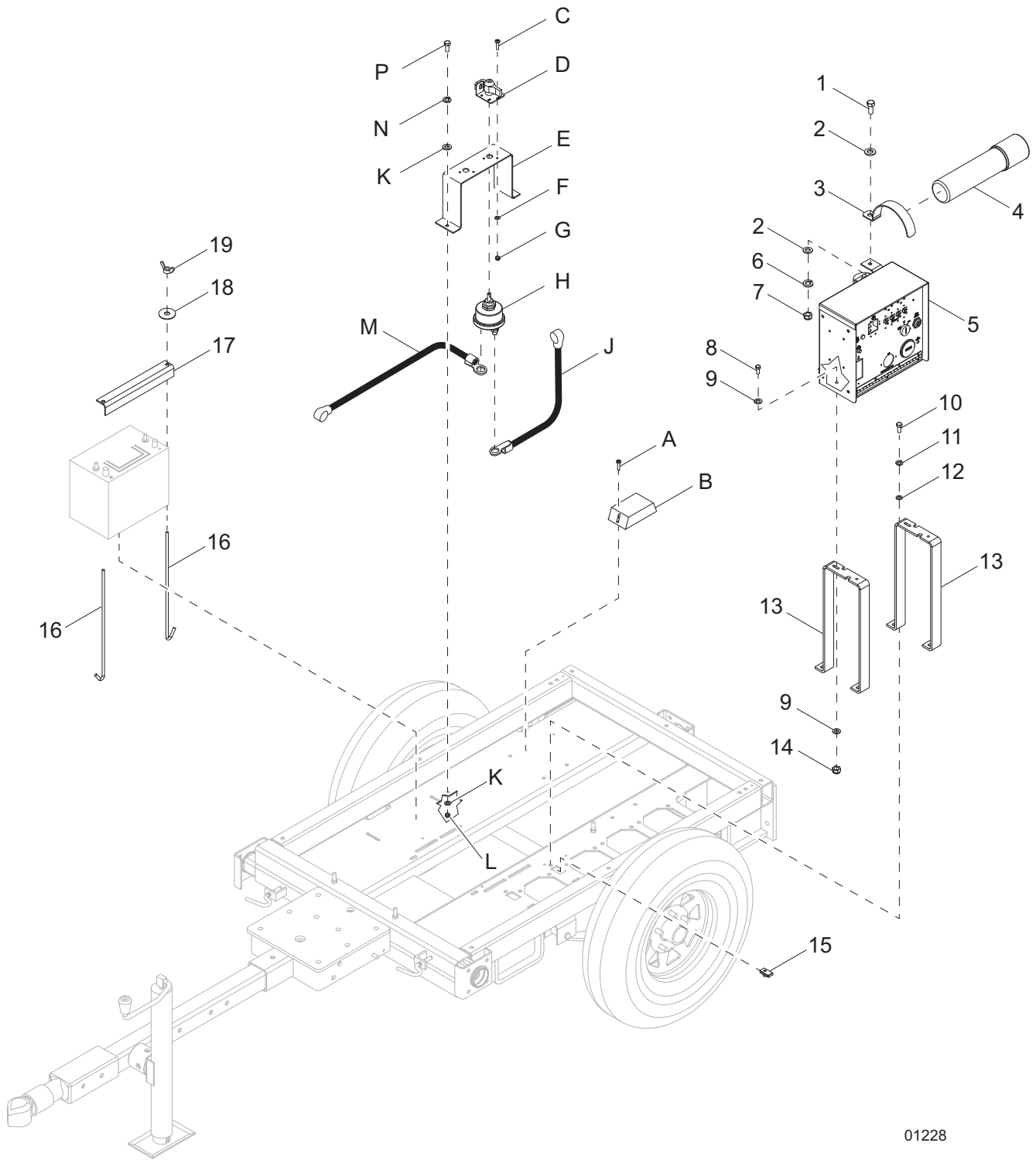


01161

MAST SWITCH BOX ASSEMBLY

Item	Part No.	Qty	Description	Notes
1	60277	4	Screw, 10-32 x .500 pan Phillips, G2	
2	65049	2	Relay, 12V 30/40A NO w/diode	
3	33750B	1	Panel, box - mast switch	
4	60061	4	Nut, 10-32 nylock	
5	50197	.125 ft	Weatherstripping - .06 x 1.0	
6	50187	.33 ft	Seal, door - D-shaped (.750)	
7	61143	2	Nut, .250-20 U-clip - short type	
8	63105	4	Nut, 8-32 U-clip, G5	
9	60526	4	Screw, 8-32 x .500 pan Phillips, G2	
10	33751B	1	Panel, cover - mast switch	
11	60758	4	Nut, 4-40 nylock, G2	
12	61229	1	Connector, amp - 7 position receptacle, flange	
13	62187	4	Screw, 4-40 x .500 pan Phillips, SS	
14	65707	1	Switch, toggle - SPDT, spring, weatherproof	
15	33255B	1	Bracket, electric winch	
16	11293	1	Contactactor, 12V electric winch	
17	60036	4	Nut, M6-1.0 serrated flange, G8.8	
--	33471	1	Assembly, mast switch box	Items 1 - 17

CONTROL BOX TO UNIT



01228

CONTROL BOX TO UNIT

Item	Part No.	Qty	Description	Notes
1	60690	1	Screw, .375-16 x 1.0 standard hex, SS	
2	60698	2	Washer, .375 flat .875/.040, SS	
3	10241	1	Clamp, 2.50 - manual holder	
4	11121	1	Manual holder tube, 14 in. - black	
5	10000036299	1	Assembly, control box - Mitsubishi, 1100W	Page 28
	10000036340	1	Assembly, control box - Kubota, 1100W	Page 28
--	10405	1	Assembly, control box - Mitsubishi, 1000-1050W	
--	17790	1	Assembly, control box - Kubota, 1000-1050W	
6	60703	1	Washer, .375 split lock, SS	
7	60140	1	Nut, .375 hex, G5	
8	60684	4	Screw, .250-20 x .875 standard hex, SS	
9	60696	8	Washer, .250 flat .625/.050, SS	
10	60256	4	Screw, .312-18 x 1.50 standard hex, G5, full thread	
11	60271	4	Washer, .312 split lock	
12	60119	4	Washer, .312 flat .875/.070	
13	10692B	2	Bracket, control box mounting	
14	60144	4	Nut, .250-20 nylock, G5	
15	62086	4	Nut, .312-18 u-clip - short type	
16	14146	2	Bolt, J - .250-20 x 10.0	
17	12924B	1	Angle, battery hold down	
18	60089	2	Washer, .265 fender 1.250/.060	Included w/item 16
19	60090	2	Nut, .250-20 wing, G5	Included w/item 16

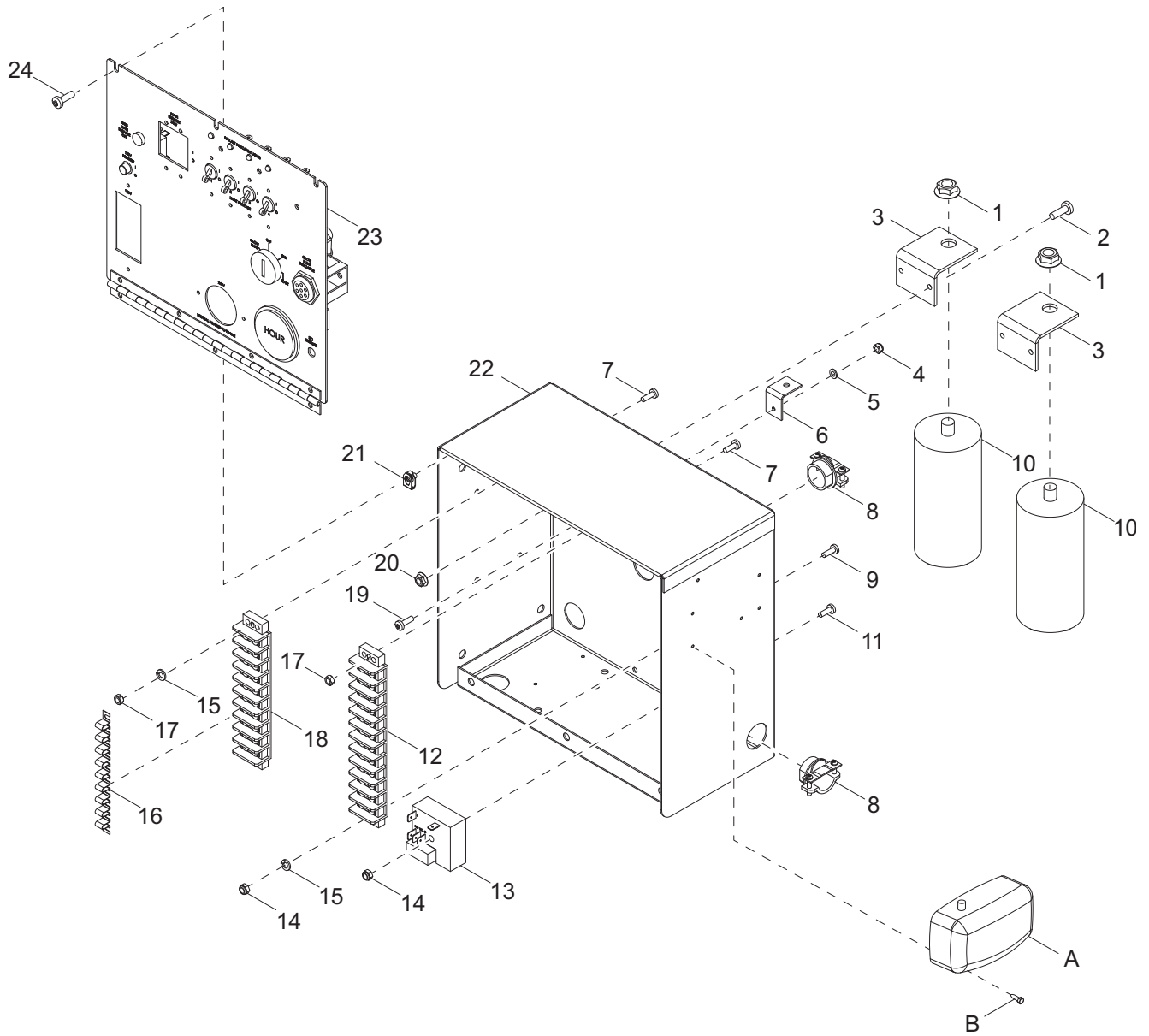
Battery Charger: (if equipped)

A	60419	2	Screw, 6-32 x .500 flg hex, G2, self-tapping
B	65326	1	Charger, battery 2A
--	21259	1	Decal, battery charger

Battery Disconnect: (if equipped)

C	60277	2	Screw, 10-32 x .500 pan Phillips, G2
D	65499	1	Assembly, switch lockout lever
E	13654B	1	Bracket, battery disconnect
F	60067	2	Washer, #10 flat .435/.060, SS
G	60061	2	Nut, 10-32 nylock
H	65498	1	Switch, disconnect
J	68544	1	Cable, battery - 18 in., 4GA red, .375 lug
K	60119	2	Washer, .312 flat .875/.070
L	60303	2	Nut, .312-18 nylock, G2
M	68543	1	Cable, battery - 24 in., 4GA red w/boot, .375 lug
N	60271	2	Washer, .312 split lock
P	60028	2	Screw, .312-18 x 1.0 standard hex, G5

CONTROL BOX ASSEMBLY

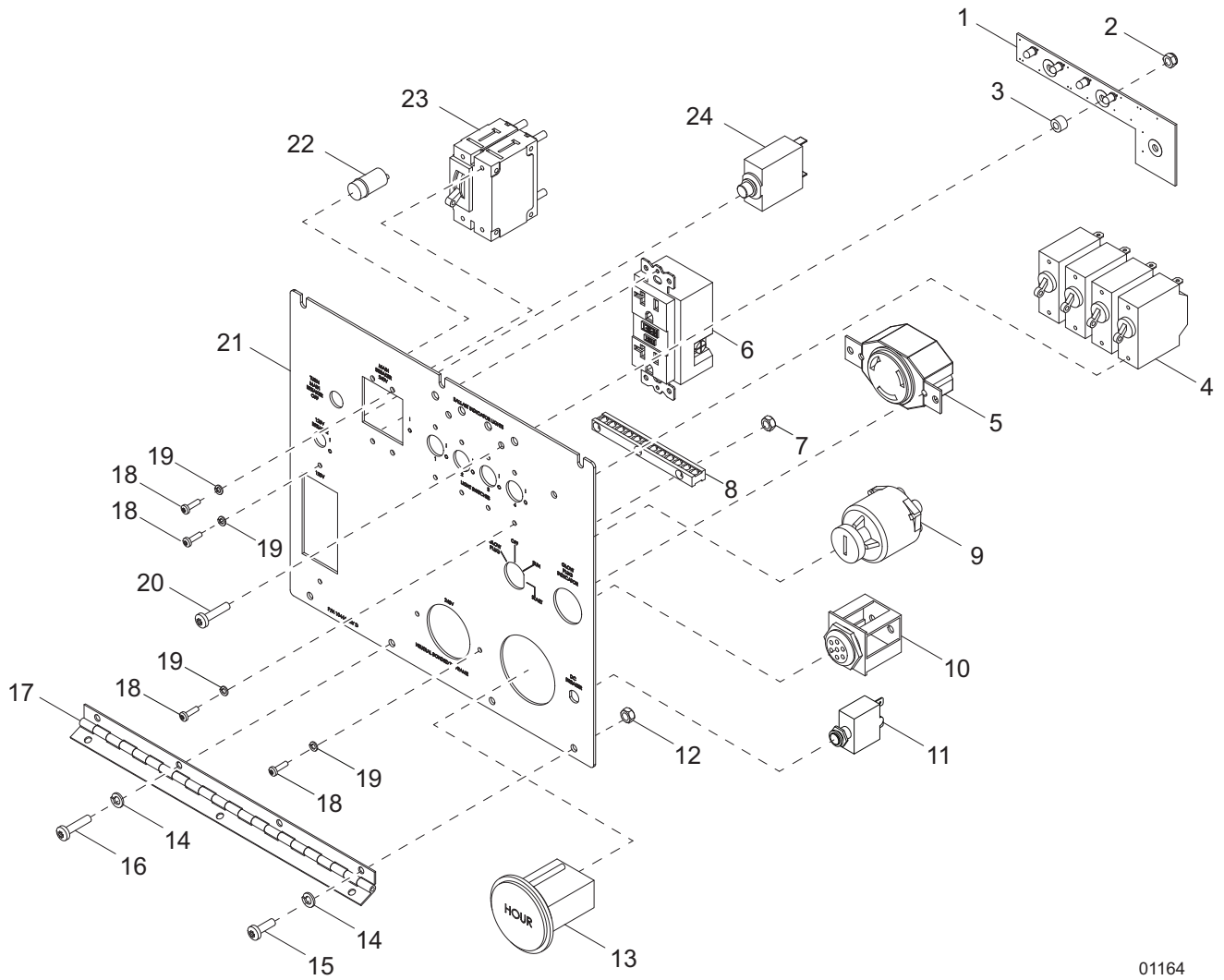


02638

CONTROL BOX ASSEMBLY

Item	Part No.	Qty	Description	Notes
1	60148	2	Nut, M12-1.75 serrated flange, G8.8	
2	60398	4	Screw, 10-32 x .500 pan Phillips, SS	
3	13690B	2	Bracket, capacitor	
4	60144	1	Nut, .250-12 nylock, G5	
5	60243	1	Washer, .250 flat .735/.060	
6	32731B	1	Bracket, manual holder	
7	60062	3	Screw, 10-32 x .750 pan Phillips, G2	
8	14219	5	Strain relief - .750 Romex w/nut	
9	60397	1	Screw, 10-32 x 1.0 pan Phillips, G2	
10	10000024477	2	Capacitor, dual 24 μ F/24 μ F, 540 VAC	
11	60396	1	Screw, 10-32 x 1.250 pan Phillips, G2	
12	14139	1	Block, terminal - 12 position, 30A, 600V	
13	14201	1	Relay, 10A SPDT 12VDC, time delay - 15 second	
14	60061	1	Nut, 10-32 nylock	
15	60252	2	Washer, #10 split lock	
16	15125	1	Jumper	
17	14231	2	Nut, 10-32 hex, G2	
18	14203	1	Block, terminal - 10 position, 30A, 600V	
19	60690	1	Screw, .375-16 x 1.0 standard hex, SS	
20	61045	4	Nut, 10-32 serrated flange	
21	63105	6	Nut, 8-32 u-clip, G5	
22	13666B	1	Box, control	
23	10000036334	1	Assembly, control panel 1100W - Mitsubishi	Page 30
	10000036323	1	Assembly, control panel 1100W - Kubota	Page 30
--	10443	1	Assembly, control panel 1000-1050W - Mitsubishi	
--	10440	1	Assembly, control panel 1000-1050W - Kubota	
24	60526	6	Screw, 8-32 x .500 pan Phillips, G2	
--	35270	1	Wire group - 6kW control box	
<i>Interior Light: (if equipped)</i>				
A	11947	1	Light, interior w/switch	
B	60364	4	Screw, 10-16 x .500 standard hex, G2, self-drilling	

CONTROL PANEL ASSEMBLY

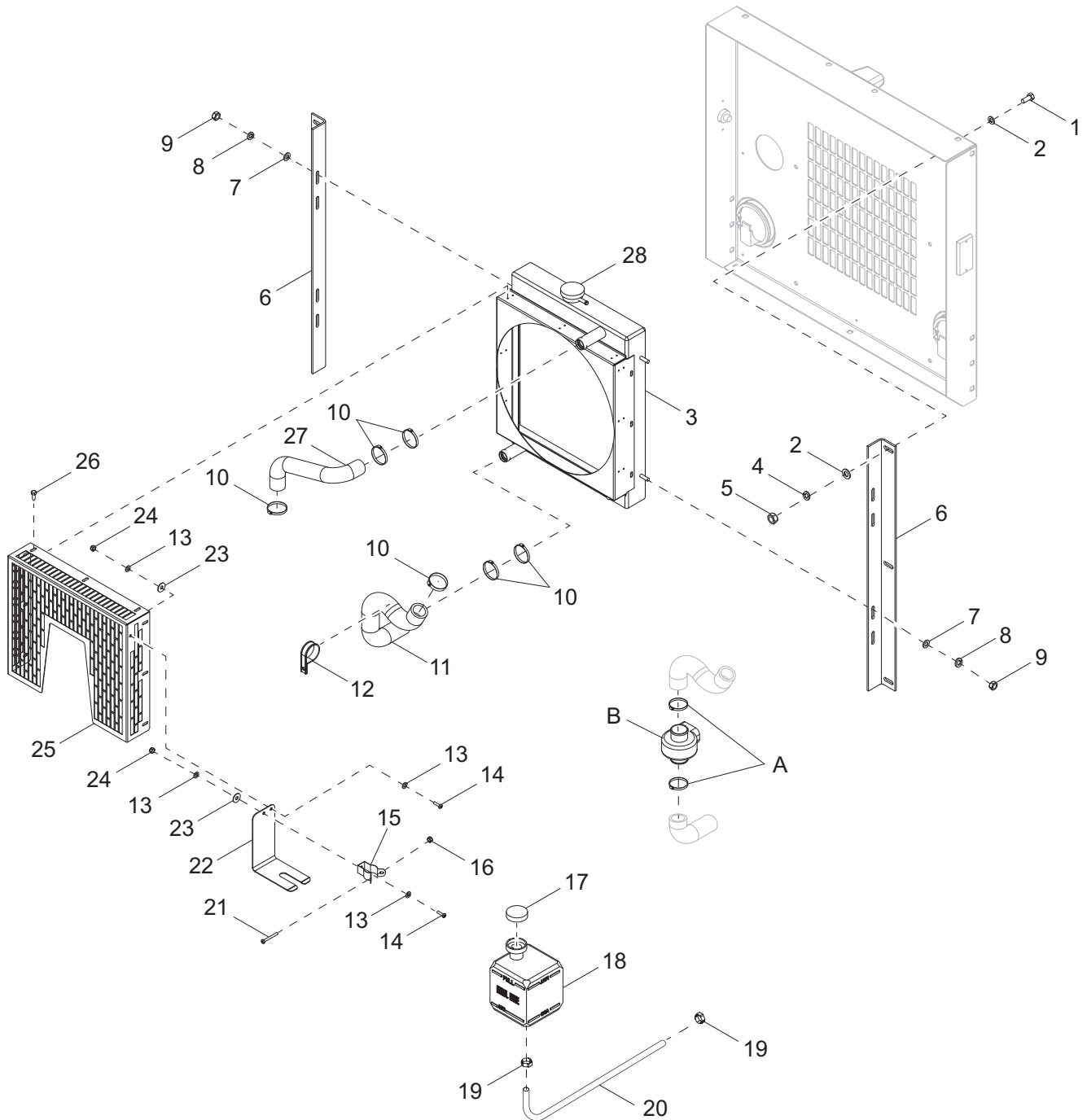


01164

CONTROL PANEL ASSEMBLY

Item	Part No.	Qty	Description	Notes
1	66423	1	PCB, LED lights w/connector	
2	60061	3	Nut, 10-32 nylock	
3	66257	3	Spacer, .2 ID x .375 OD x .25 long, plastic	
4	14249	4	Breaker, 15A, 120V, 1-pole	
5	14137	1	Receptacle, 240V/30A twist-lock	
6	14130	1	Receptacle, 120V/20A GFI	
7	60318	2	Nut, 8-32 hex, G5	
8	14204	1	Kit, ground bar	
9	15195SRV	1	Switch, key	
10	16694	1	Glow plug indicator	MLT3060MV
11	65850	1	Breaker, 10A, 240V, 1-pole, push button	
12	14231	2	Nut, 10-32 hex, G2	
13	15085	1	Gauge, hour meter	
14	60252	4	Washer, #10 split lock	
15	60277	2	Screw, 10-32 x .500 pan Phillips, G2	
16	60406	2	Screw, 8-32 x 1.0 pan Phillips, SS	
17	13677	1	Hinge, continuous - 11 in	
18	60405	16	Screw, 6-32 x .250 pan Phillips, G2	
19	60058	16	Washer, #6 split lock	
20	60062	3	Screw, 10-32 x .750 pan Phillips, G2	
21	10000030410	1	Panel, control - Mitsubishi, 1100W	MLT3060MV
	10000030374	1	Panel, control - Kubota, 1100W	MLT3060KV
22	65388	1	Light, indicator red, 12VDC	
23	65963	1	Breaker, 30A, 250V, 2-pole, stud terminal w/aux	
24	65849	1	Breaker, 10A, 120V, 1-pole, push button	
--	35267	1	Wire group - 20A GFCI	
--	35268	1	Wire group - 30A twist-lock	
--	35269	1	Wire group - light switches	
--	35266	1	Wire group - LED light board	
--	35271	1	Wire group - 6kW control box	

COOLING SYSTEM ASSEMBLY

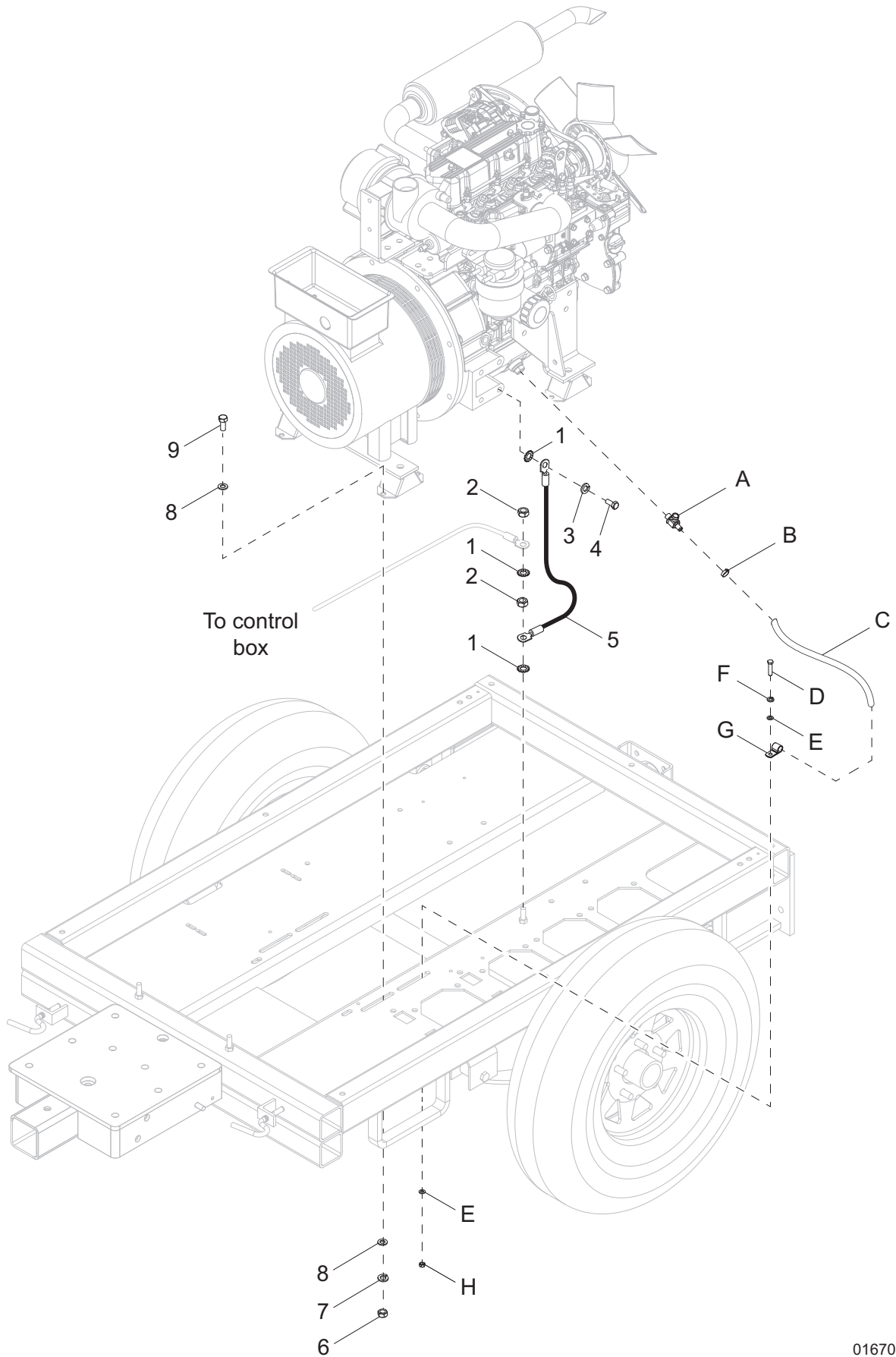


01230

COOLING SYSTEM ASSEMBLY

Item	Part No.	Qty	Description	Notes
1	60690	6	Screw, .375-16 x 1.0 standard hex, SS	
2	60698	12	Washer, .375 flat .875/.040, SS	
3	13924	1	Radiator, w/fan guard	
4	60703	6	Washer, .375 split lock, SS	
5	60140	6	Nut, .375-16 hex, G5	
6	11135B	2	Bracket, radiator	
7	60119	4	Washer, .312 flat .875/.070	
8	60271	4	Washer, .312 split lock	
9	60032	4	Nut, M8-1.25 hex, G8.8	
10	15422	6	Clamp, hose - SAE 020 (.75-1.75)	
11	16688SRV	1	Hose, radiator - lower - Mitsubishi	MLT3060MV
	12350	1	Hose, radiator - lower - Kubota	MLT3060KV
12	60716	1	Clamp, tubing - 1.50 light duty	
13	60067	4	Washer, #10 flat .435/.060, SS	
14	61180	2	Screw, 10-32 x .750 pan Phillips, SS	
15	19726	1	Clamp, overflow jug	
16	60144	1	Nut, .250-20 nylock, G5	
17	19714	1	Cap, overflow jug	
18	20287	1	Jug, overflow - 2 qt	
19	60777	2	Clamp, hose - .312, crimp style	
20	50018	1.67 ft	Hose, fuel - .312 ID	
21	60414	1	Screw, .250-20 x 1.50 standard hex, G5	
22	22419B	1	Bracket, support overflow jug - black	
23	60696	2	Washer, .250 flat .625/.050, SS	
24	60061	2	Nut, 10-32 nylock	
25	11413	1	Fan guard	
26	60364	9	Screw, 10-16 x .500 standard hex, G2, self-drilling	
27	32383SRV	1	Hose, radiator - upper - Mitsubishi	MLT3060MV
	16687	1	Hose, radiator - upper - Kubota	MLT3060KV
28	19219	1	Cap, radiator 14.7 PSI	
<i>Engine Heater: (if equipped)</i>				
A	15422	2	Clamp, hose - SAE 020 (.75-1.75)	
B	65649	1	Heater, engine - lower radiator hose, 1 in. dia	

ENGINE AND GENERATOR TO UNIT

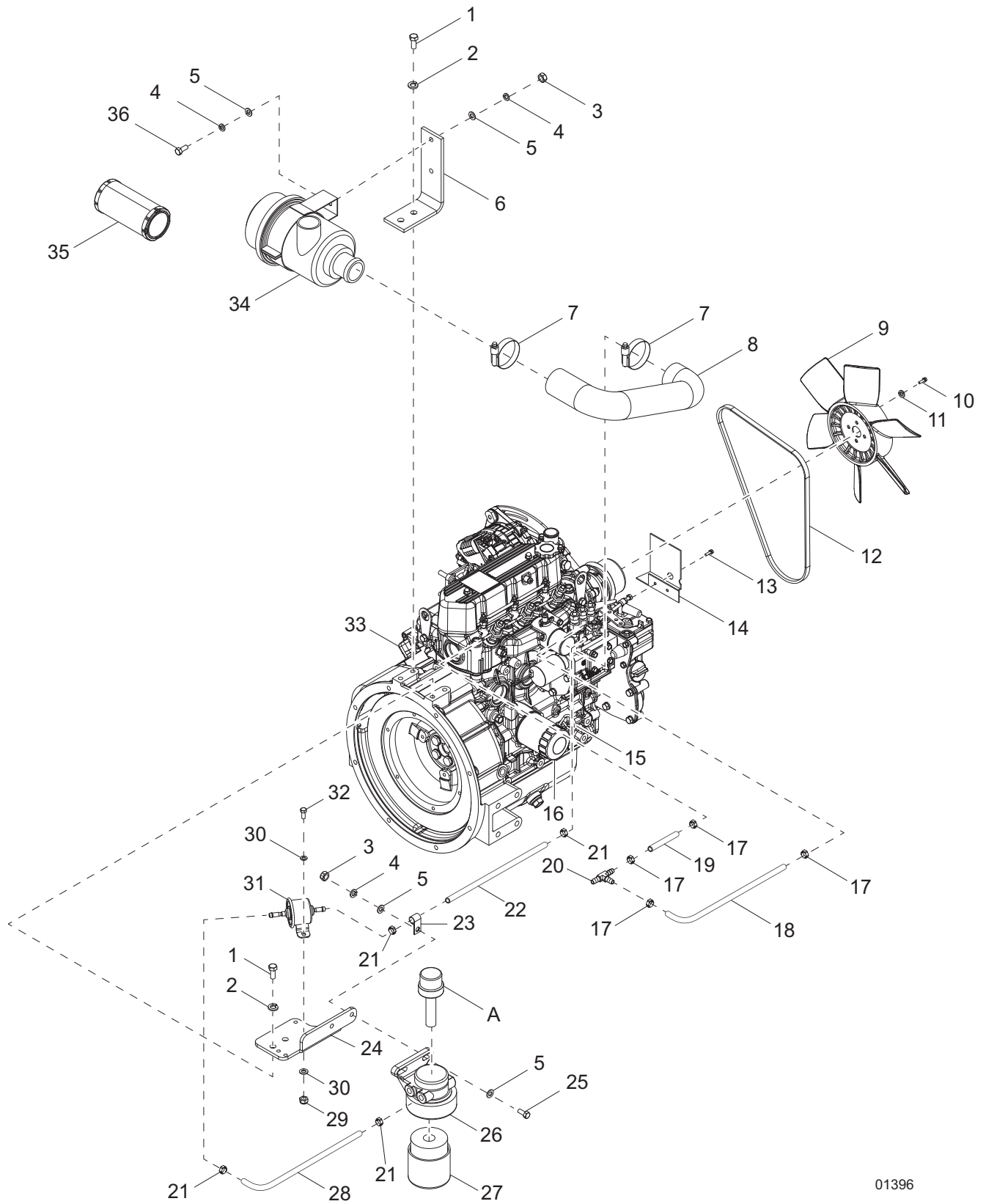


01670

ENGINE AND GENERATOR TO UNIT

Item	Part No.	Qty	Description	Notes
1	60747	3	Washer, .375 internal star	
2	60140	2	Nut, .375-16 hex, G5	
3	60026	1	Washer, M10 split lock	
4	60495	1	Screw, M10-1.25 x 16 standard hex, G8.8	
5	11923	1	Assembly, wire - engine/chassis ground	
6	60140	8	Nut, .375-16 hex, G5	
7	60206	8	Washer, .375 split lock	
8	60698	16	Washer, .375 flat .875/.040, SS	
9	60205	8	Screw, .375-16 x 1.0 standard hex, G5	
<i>Drain Valve: (if equipped)</i>				
A	60774	1	Valve, drain with nipple	MLT3060KV
	60766	1	Valve, drain with nipple	MLT3060MV
B	60365	1	Clamp, hose - SAE 010 (.56-1.06)	MLT3060KV
	60777	1	Clamp, hose - .312, crimp style	MLT3060MV
C	68327	1	Hose, .625 in., 200 psi, (22 in)	MLT3060KV
	50051	1.67 ft	Hose, fuel - .375 ID, 50 psi, SAE 30R7	MLT3060MV
D	60205	1	Screw, .375-16 x 1.0 standard hex, G5	MLT3060KV
E	60698	2	Washer, .375 flat .875/.040, SS	MLT3060KV
F	60206	1	Washer, .375 split lock	MLT3060KV
G	60716	1	Clamp, tubing - 1.50 light duty	MLT3060KV
H	60144	1	Nut, .25-20 nylock, G5	MLT3060KV

ENGINE ASSEMBLY - MITSUBISHI LEFT SIDE



01396

ENGINE ASSEMBLY - MITSUBISHI LEFT SIDE

Item	Part No.	Qty	Description	Notes
1	60422	4	Screw, M10-1.25 x 25 standard hex, G8.8	
2	60026	4	Washer, M10 split lock	
3	60285	6	Nut, .312-18 hex, G2	
4	60271	6	Washer, .312 split lock	
5	60119	8	Washer, .312 flat .875/.070	
6	16551B	1	Bracket, air cleaner - black	
7	60316	2	Clamp, hose - SAE 032 (1.56-2.50)	
8	16589	1	Hose, air cleaner	
9	16742	1	Fan, Mitsubishi	
10	63288	4	Screw, M6-1.0 x 12 pan head, G8.8	
11	60286	4	Washer, .250 split lock	
12	16692	1	V-belt, Mitsubishi	
13	13513	2	Bolt w/washer	
14	11691	1	Bracket, lower radiator hose guard	
15	11148	1	Dipstick, oil	
16	10000014392	1	Filter, oil - Mitsubishi	
17	60778	4	Clamp, hose - .188, crimp style	
18	14211	1.04 ft	Hose, fuel - .188 ID, 50 psi, SAE 30R7	
19	14211	.16 ft	Hose, fuel - .188 ID, 50 psi, SAE 30R7	
20	17145	1	Fitting, T - .188 x .188 x .188 barb, nylon	
21	60777	4	Clamp, hose - .312, crimp style	
22	50018	1 ft	Hose, fuel - .312 ID, 50 psi, SAE 30R7	
23	60649	1	Clamp, tubing - .750 heavy duty	
24	12838B	1	Bracket, fuel filter/pump, black	
25	60256	2	Screw, .312-18 x 1.50 standard hex, G5, fully threaded	
26	17641	1	Filter, fuel head and element	
27	17647	1	Filter, fuel, element only	
28	50018	1.04 ft	Hose, fuel - .312 ID, 50 psi, 30R7	
29	60144	2	Nut, .250-20 nylock, G5	
30	60243	4	Washer, .250 flat .735/.060	
31	13278SRV	1	Fuel pump, electric	
32	60393	2	Screw, .250-20 x 1.0 standard hex, G5	
33	72154	1	Engine, Mitsubishi LE3, T4	
34	34066	1	Filter, air, w/bracket	
35	16444	1	Element, air filter	
36	61061	2	Screw, .312-18 x .875 standard hex, G5	
--	16677	1	Switch, oil pressure	
--	70021	1	Cover, air filter housing	
--	12912	1	Cap, dust	

Heated Fuel Filter: (if equipped)

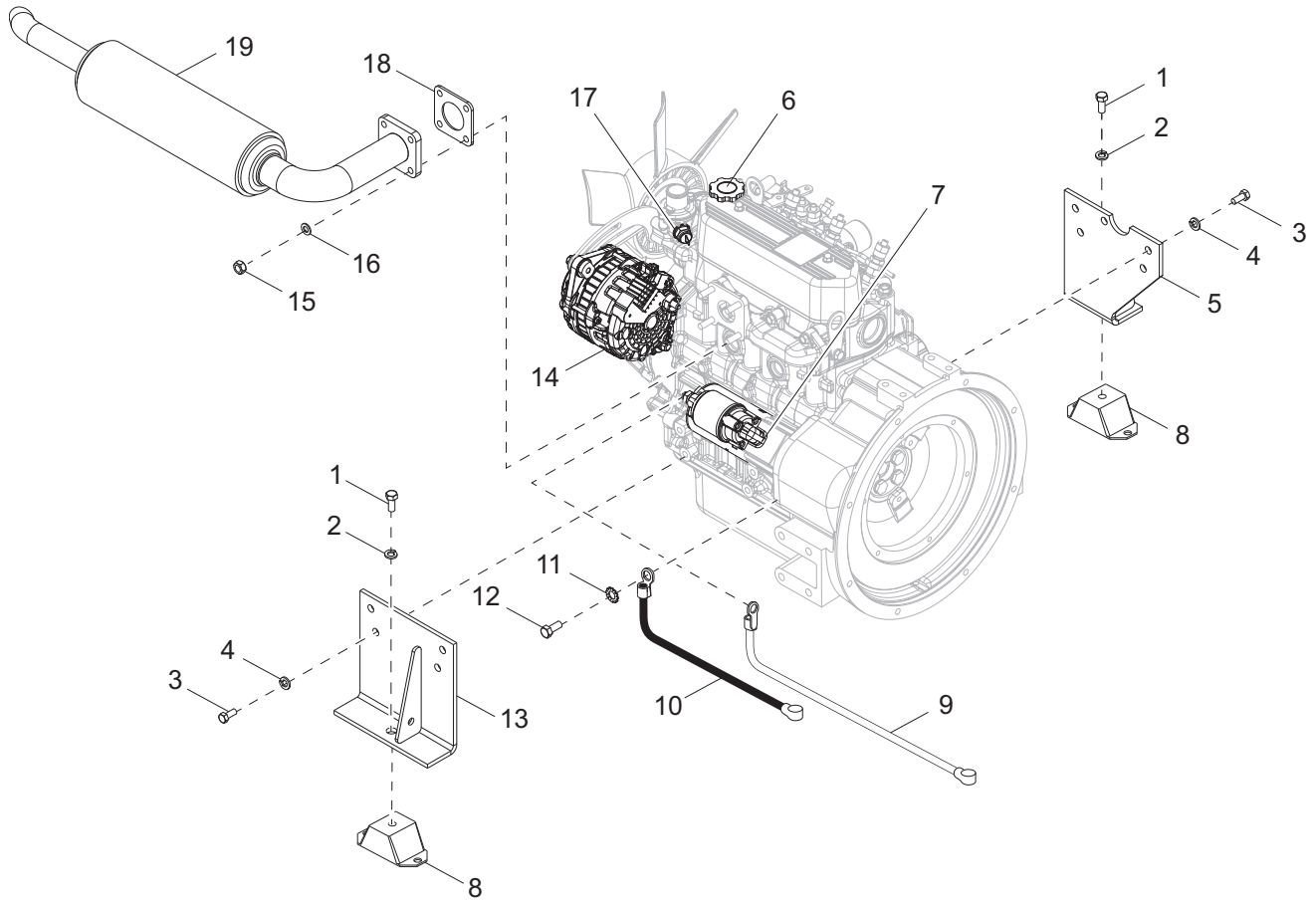
A	13876	1	Kit, heater - fuel filter, Mitsubishi
---	-------	---	---------------------------------------

Cold Weather Belt: (if equipped)

--	10386	1	Belt, cold weather - Mitsubishi, 6kW & 8kW
----	-------	---	--

Note: Engine and generator parts used in all Generac Mobile Products equipment carry the Original Equipment Manufacturer (OEM) warranty unless otherwise stated. OEM warranty parts must be purchased through an OEM dealer. Please contact Generac Mobile Products with questions.

ENGINE ASSEMBLY - MITSUBISHI RIGHT SIDE



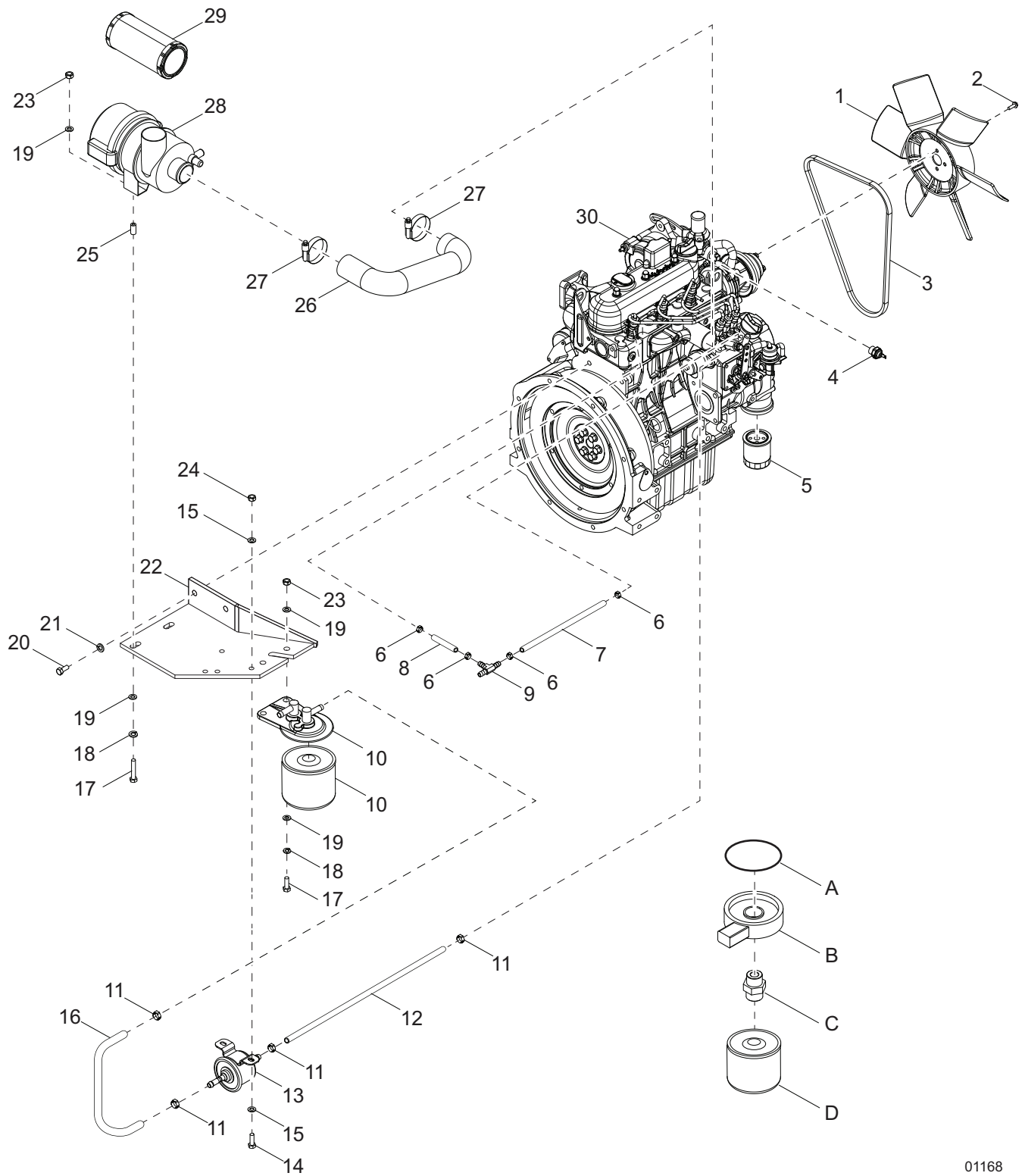
01171

ENGINE ASSEMBLY - MITSUBISHI RIGHT SIDE

Item	Part No.	Qty	Description	Notes
1	60275	2	Screw, .500-13 x 1.0 standard hex, G5	
2	60702	2	Washer, .500 split lock, SS	
3	60422	8	Screw, M10-1.25 x 25 standard hex, G8.8	
4	60026	8	Washer, M10 split lock	
5	70130B	1	Weldment, engine mount - right, black	
6	11147	1	Cap, oil filler	
7	70232	1	Starter	
8	15241	2	Isolator, rubber - 80-200 lbs, 2 in. wide	
9	15074	1	Cable, battery - 38 in., 4GA red, .438 lug	
10	12568	1	Cable, battery - 27 in., 4GA black, .375 lug	
11	60747	1	Washer, .375 internal star	
12	60495	1	Screw, M10-1.25 x 16 standard hex, G8.8	
13	16554B	1	Weldment, engine mount - left, black	
14	16743	1	Alternator	
15	60032	4	Nut, M8-1.25 hex, G8.8	
16	60029	4	Washer, M8 split lock	
17	16678	1	Switch, temperature sensor	
18	11042SRV	1	Gasket, muffler	
19	13710	1	Muffler, 30° flare	
--	65684	1	Harness, engine - Mitsubishi	

Note: Engine and generator parts used in all Generac Mobile Products equipment carry the Original Equipment Manufacturer (OEM) warranty unless otherwise stated. OEM warranty parts must be purchased through an OEM dealer. Please contact Generac Mobile Products with questions.

ENGINE ASSEMBLY - KUBOTA LEFT SIDE



01168

ENGINE ASSEMBLY - KUBOTA LEFT SIDE

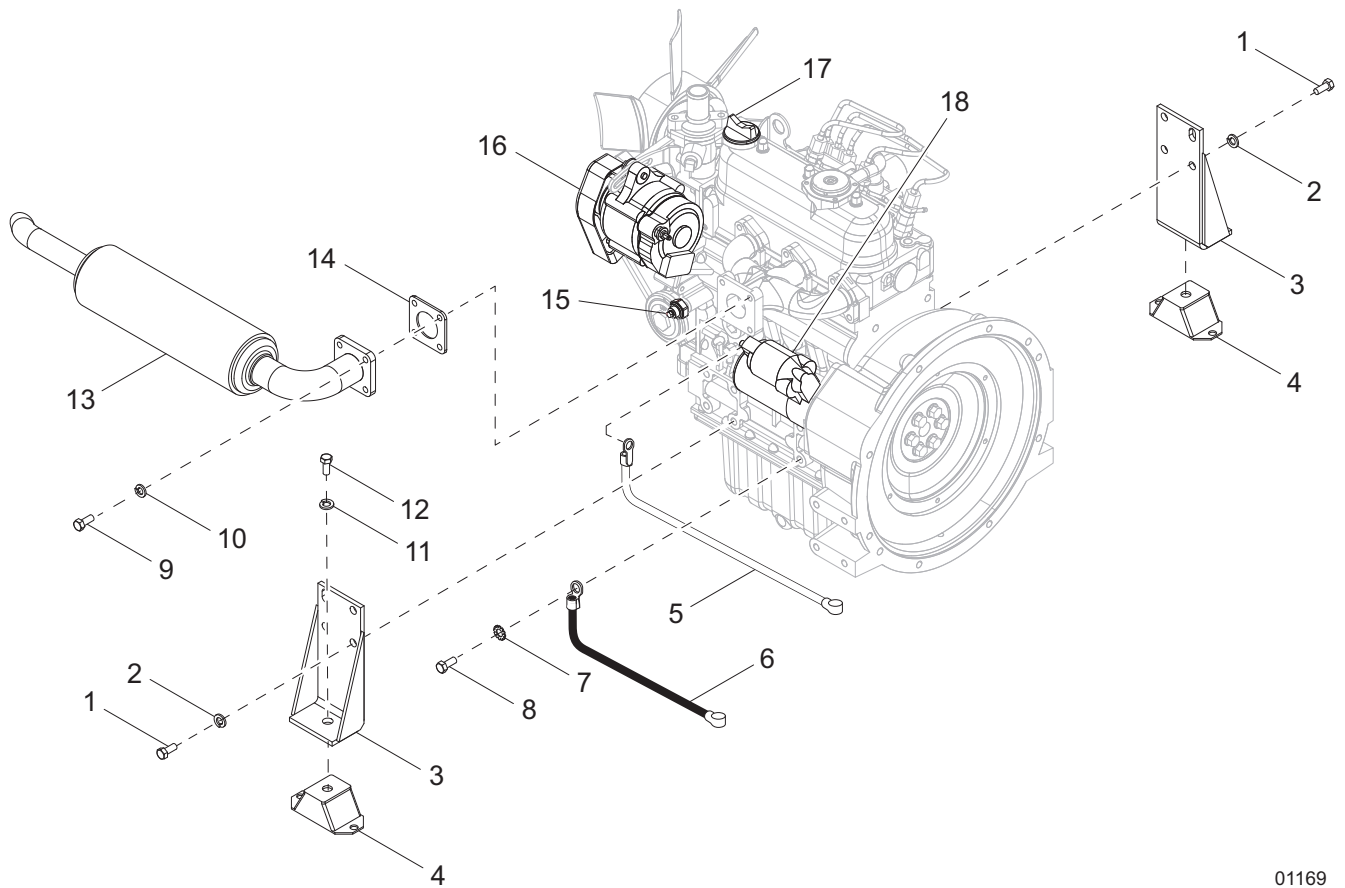
Item	Part No.	Qty	Description	Notes
1	15495	1	Fan, engine	
2	60087	4	Screw, M6-1.0 x 16 serrated flange hex, G8.8	
3	11628	1	Belt, V	
4	14099	1	Switch, coolant temperature	
5	10775	1	Filter, oil	
6	60778	4	Clamp, hose - .188, crimp style	
7	14211	1.3 ft	Hose, fuel - .188 ID, 50 psi, SAE 30R7	
8	14211	.167 ft	Hose, fuel - .188 ID, 50 psi, SAE 30R7	
9	17145	1	Fitting, T - .188 x .188 x .188 barb, nylon	
10	13481	1	Filter, fuel	includes element
	13515	1	Element, fuel filter	
11	60777	4	Clamp, hose - .312, crimp style	
12	50018	1.67 ft	Hose, fuel - .312 ID, 50 psi, SAE 30R7	
13	13278SRV	1	Pump, fuel	
14	60393	2	Screw, .250-20 x 1.0 standard hex, G5	
15	60243	4	Washer, .250 flat .735/.060	
16	50018	1 ft	Hose, fuel - .312 ID, 50 psi, SAE 30R7	
17	62001	4	Screw, .312-18 x 1.250 standard hex, G5	
18	60271	4	Washer, .312 split lock	
19	60119	8	Washer, .312 flat .875/.070	
20	61082	2	Screw, M8-1.25 x 20 standard hex, G8	
21	60029	2	Washer, M8 split lock	
22	13483B	1	Weldment, filter bracket	
23	60285	4	Nut, .312-18 hex, G2	
24	60144	2	Nut, .250-20 nylock, G5	
25	41235ZY	2	Spacer, .75 OD x .44 ID x 1.0 long	
26	16589	1	Hose, air cleaner	
27	60316	2	Clamp, hose - SAE 032 (1.56-2.50)	
28	34066	1	Filter, air, assembly	
29	16444	1	Element, air filter	
30	13310	1	Engine, Kubota - D1005-E3BG1-MGM-1	
--	70021	1	Cover, air filter housing	
--	12912	1	Cap, dust	

Heated Fuel Filter: (if equipped)

A	13834	1	Gasket, heated fuel filter
B	13682	1	Heater, fuel filter
C	10407	1	Adapter, heated fuel filter
D	13515	1	Element, heated fuel filter
--	10662	1	Harness, fuel filter heater - outside
--	13684	1	Harness, fuel filter heater - inside

Note: Engine and generator parts used in all Generac Mobile Products equipment carry the Original Equipment Manufacturer (OEM) warranty unless otherwise stated. OEM warranty parts must be purchased through an OEM dealer. Some Kubota engine parts are serial number specific. Please contact **Kubota Engine America Corp.** or the Generac Mobile Products Technical Service Department for information regarding engine parts.

ENGINE ASSEMBLY - KUBOTA RIGHT SIDE



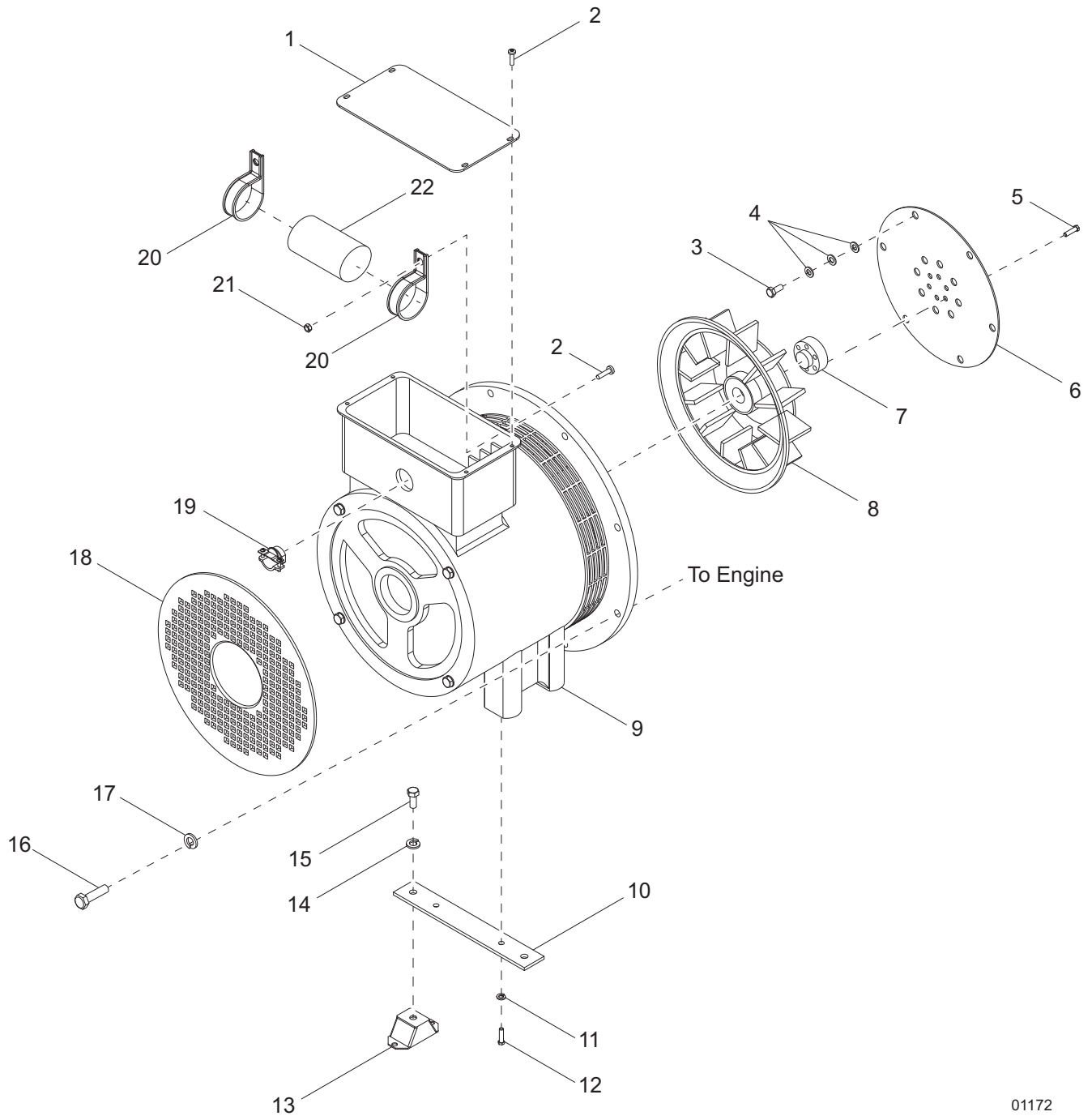
01169

ENGINE ASSEMBLY - KUBOTA RIGHT SIDE

Item	Part No.	Qty	Description	Notes
1	60422	8	Screw, M10-1.25 x 25 standard hex, G8.8	
2	60026	8	Washer, M10 split lock	
3	12338B	2	Weldment, engine mount	
4	15241	2	Isolator, rubber - 80-200 lbs, 2 in. wide	
5	15074	1	Cable, battery - 38 in., 4GA red, .438 in. lug	
6	12568	1	Cable, battery - 27 in., 4GA black, .375 in. lug	
7	60747	1	Washer, .375 internal star	
8	60495	1	Screw, M10-1.25 x 16 standard hex, G8.8	
9	63168	4	Screw, M8-1.25 x 30 standard hex	
10	60029	4	Washer, M8 split lock	
11	60702	2	Washer, .500 split lock, SS	
12	60275	2	Screw, .500-13 x 1.0 standard hex, G5	
13	13709	1	Muffler, 30 degree flare	
14	11042SRV	1	Gasket, muffler	
15	14099	1	Switch, coolant temperature	
16	12486	1	Alternator	
17	12484	1	Cap, oil filler	
18	30582	1	Starter	
--	10461	1	Harness, engine - Kubota	

Note: Engine and generator parts used in all Generac Mobile Products equipment carry the Original Equipment Manufacturer (OEM) warranty unless otherwise stated. OEM warranty parts must be purchased through an OEM dealer. Some Kubota engine parts are serial number specific. Please contact **Kubota Engine America Corp.** or the Generac Mobile Products Technical Service Department for information regarding engine parts.

GENERATOR ASSEMBLY



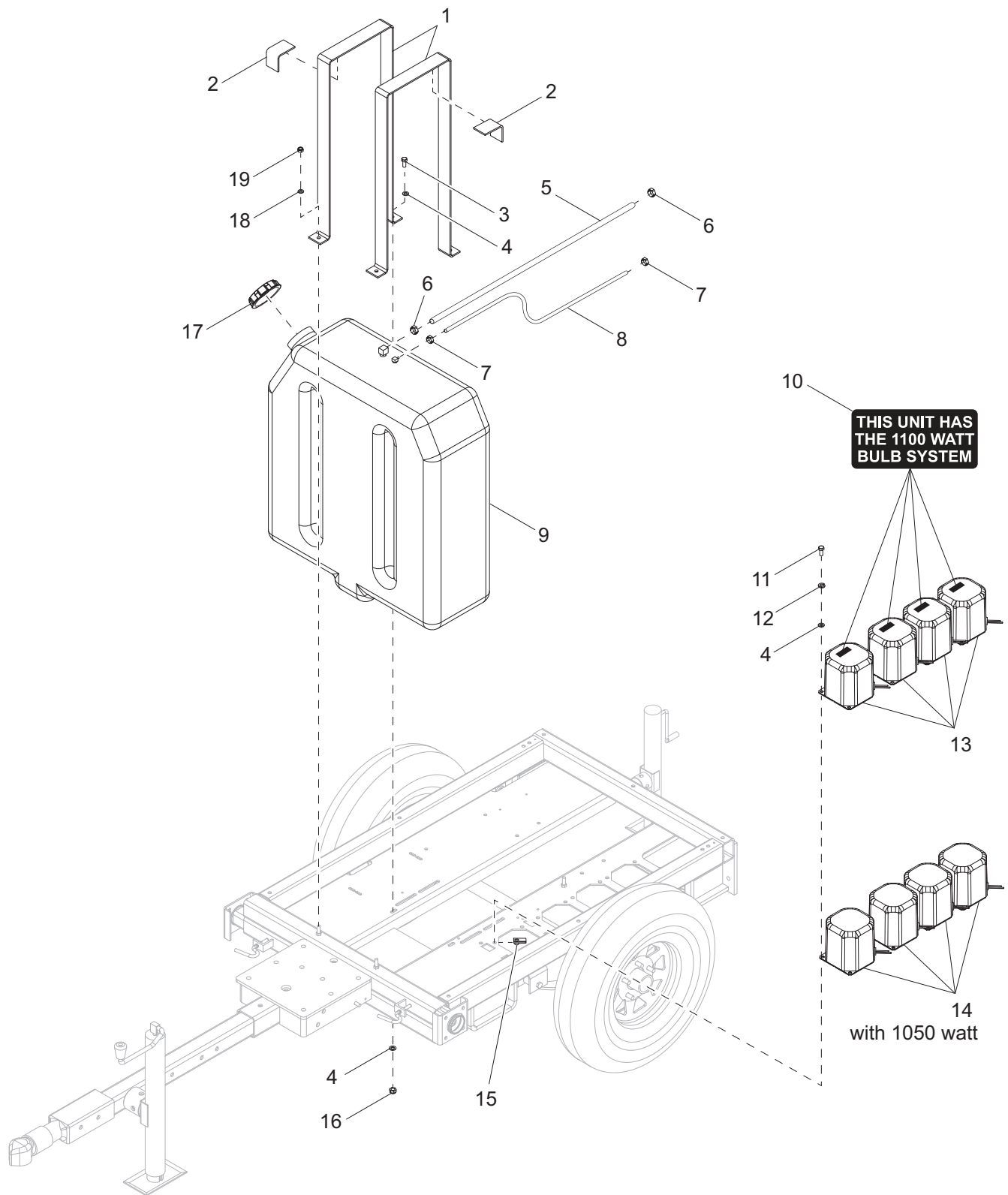
01172

GENERATOR ASSEMBLY

Item	Part No.	Qty	Description	Notes
1	12736	1	Cover, generator - 6kW	
2	60398	6	Screw, 10-32 x 5.0 pan Phillips, SS	
3	60168	6	Screw, .312-18 x .750 standard hex, G5	MLT3060KV
	60165	6	Screw, M8-1.25 x 16 standard hex, G10	MLT3060MV
4	60166	18	Washer, M8 flat	MLT3060MV (qty 12 only)
5	11336	6	Screw, .375-24 x 1.75	
6	16123	1	Plate, drive - SAE 6.5	
7	11339	1	Spacer, generator drive plate	
8	12527	1	Fan, generator	
--	12329	1	Seal, pancake bearing - 6kW	Included w/item 9
--	12328	1	Bearing, pancake - 6kW	Included w/item 9
9	16556	1	Generator, Marathon - 6kW	
10	15045B	1	Bracket, generator	
11	60206	2	Washer, .375 split lock	
12	60205	2	Screw, .375-16 x 1.0 standard hex, G5	
13	15241	2	Isolator, rubber - 80-200 lbs, 2 in. wide	
14	60702	2	Washer, .500 split lock, SS	
15	60275	2	Screw, .50-13 x 1.0 standard hex, G5	
16	60352	8	Screw, .375-16 x 1.25 standard hex, G5	MLT3060KV
	60494	8	Screw, M10-1.25 x 30 standard hex, G8.8	MLT3060MV
17	60206	8	Washer, .375 split lock	MLT3060KV
	60026	8	Washer, M10 split lock	MLT3060MV
18	12327	1	Cover, pancake case	
19	14219	1	Strain relief - .75 Romex w/nut	
20	16395	2	Clamp, capacitor17	
21	61045	2	Nut, 10-32 serrated flange	
22	35132	1	Capacitor, 25 μ F 440V - 6kW	
--	16153	1	Harness, generator - 6kW	

Note: Engine and generator parts used in all Generac Mobile Products equipment carry the Original Equipment Manufacturer (OEM) warranty unless otherwise stated. OEM warranty parts must be purchased through an OEM dealer. Please contact Generac Mobile Products with questions.

FUEL TANK AND BALLAST BOXES TO UNIT

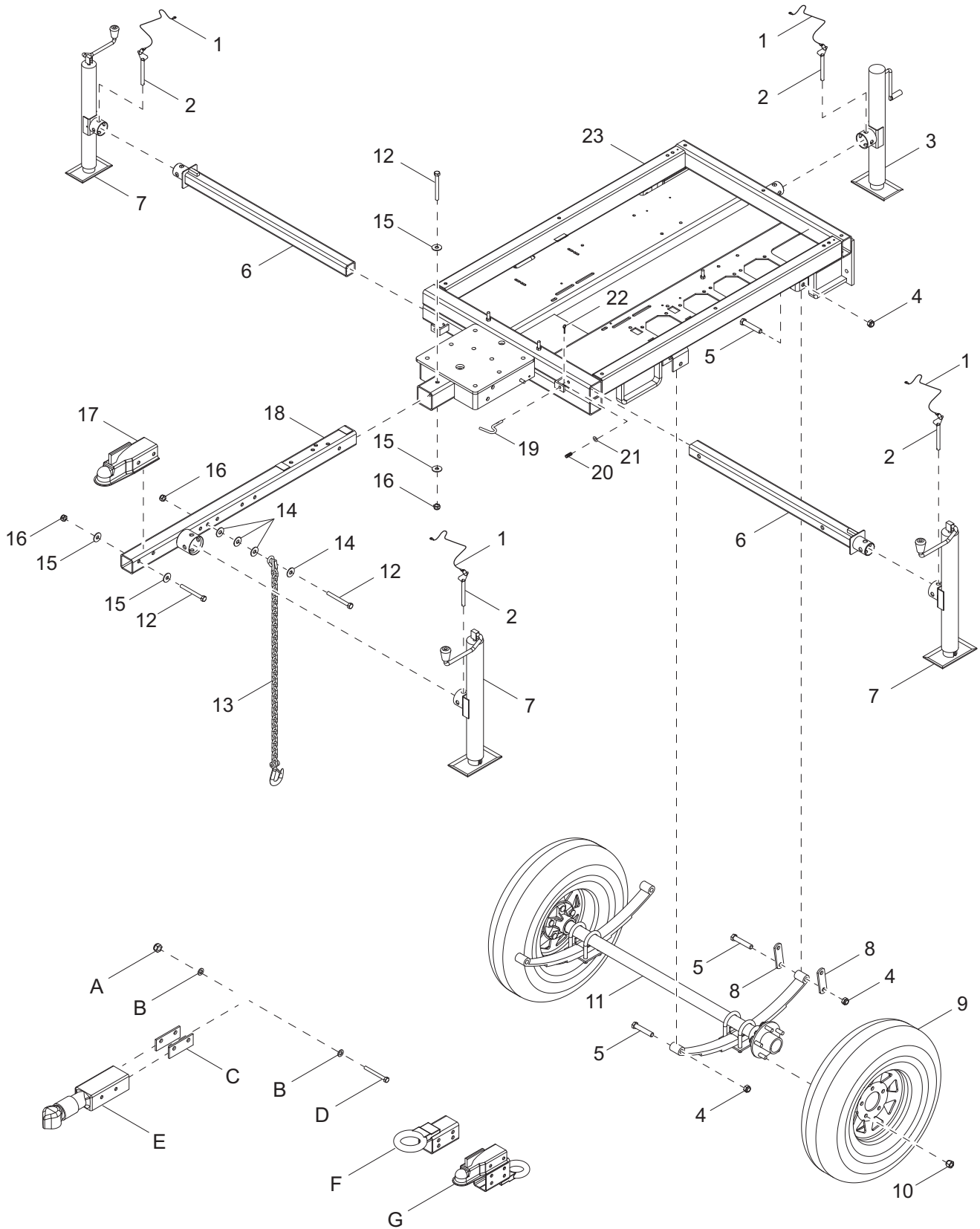


02639

FUEL TANK AND BALLAST BOXES TO UNIT

Item	Part No.	Qty	Description	Notes
1	11065B	2	Bracket, fuel tank support	
2	50197	1 ft	Weatherstripping - .06 x 1.0	Four 3 in. strips
3	60256	2	Screw, .312-18 x 1.50 standard hex, G5	
4	60119	16	Washer, .312 flat .875/.070	
5	50018	2.5 ft	Hose, fuel - .312 ID, 50 psi, SAE 30R7	
6	60777	2	Clamp, hose - .312, crimp style	
7	60778	2	Clamp, hose - .188, crimp style	
8	14211	2.5 ft	Hose, fuel - .188 ID, 50 psi, SAE 30R7	
9	34668	1	Tank, fuel - 30 gallon	
10	10000030392	4	Decal, 1100W bulb system	
11	60028	12	Screw, .312-18 x 1.0 standard hex, G5	
12	60271	12	Washer, .312 split lock	
13	10000036333	4	Assembly, transformer - can and base - 60Hz-MH	1100W only
14	10656SRV	4	Assembly, transformer - can and base - 60Hz-MH	1000-1050W only
15	62086	12	Nut, .312-18 u-clip - short type	
16	60303	2	Nut, .312-18 nylock, G2	
17	12080	1	Cap, fuel tank vented - 3.5 dia green	
18	60698	2	Washer, .375 flat .875/.040, SS	
19	60358	2	Nut, .375-16 nylock, G5	

TRAILER ASSEMBLY



02640

TRAILER ASSEMBLY

Item	Part No.	Qty	Description	Notes
1	12647	4	Cable, tether - jack pin and ground rod cover	
2	23256	4	Pin, jack - 2000 lb, tube mount	
3	13050	1	Jack, side wind - 2000 lb, tube mount	
4	60504	6	Nut, .562-18 lock, G5	
5	60503	6	Screw, shackle, .562-18 x 3.0 standard hex, G5	
6	70143Z	2	Weldment, outrigger	
7	13051	2	Jack, top wind - 2000 lb, tube mount	
8	19637	4	Plate, shackle bracket - 3.125 inch	
9	15976B	2	Wheel, ST175/80D13, 1360 lb	
10	60096	10	Nut, .500-20 lug, G5	
11	11100	1	Assembly, axle	Page 51
12	50215	5	Screw, .500-13 x 4.0 standard hex, G5	
13	23367	2	Chain, safety - 7800 lb rated	
14	60416	8	Washer, .500 flat 1.375/.090	
15	60309	6	Washer, .500 flat 1.060/.090	
16	62221	5	Nut, .500-13 nylock, G5	
17	16830	1	Coupler, 2.0 ball/2.50 channel	
18	33724B	1	Weldment, removable tongue, non-shipping	
19	35272	2	Pin, plunger - .375	
20	35273	2	Spring, compression - .562 x 1.50	
21	35275	2	Washer, .375 flat .416 x .820 x .057	
22	35274	2	Pin, cotter - .078 x 1.0	
23	13819B	1	Weldment, chassis	
--	10266	1	Harness, right side trailer	
--	10267	1	Harness, left side trailer	
--	10262	1	Harness, main trailer	

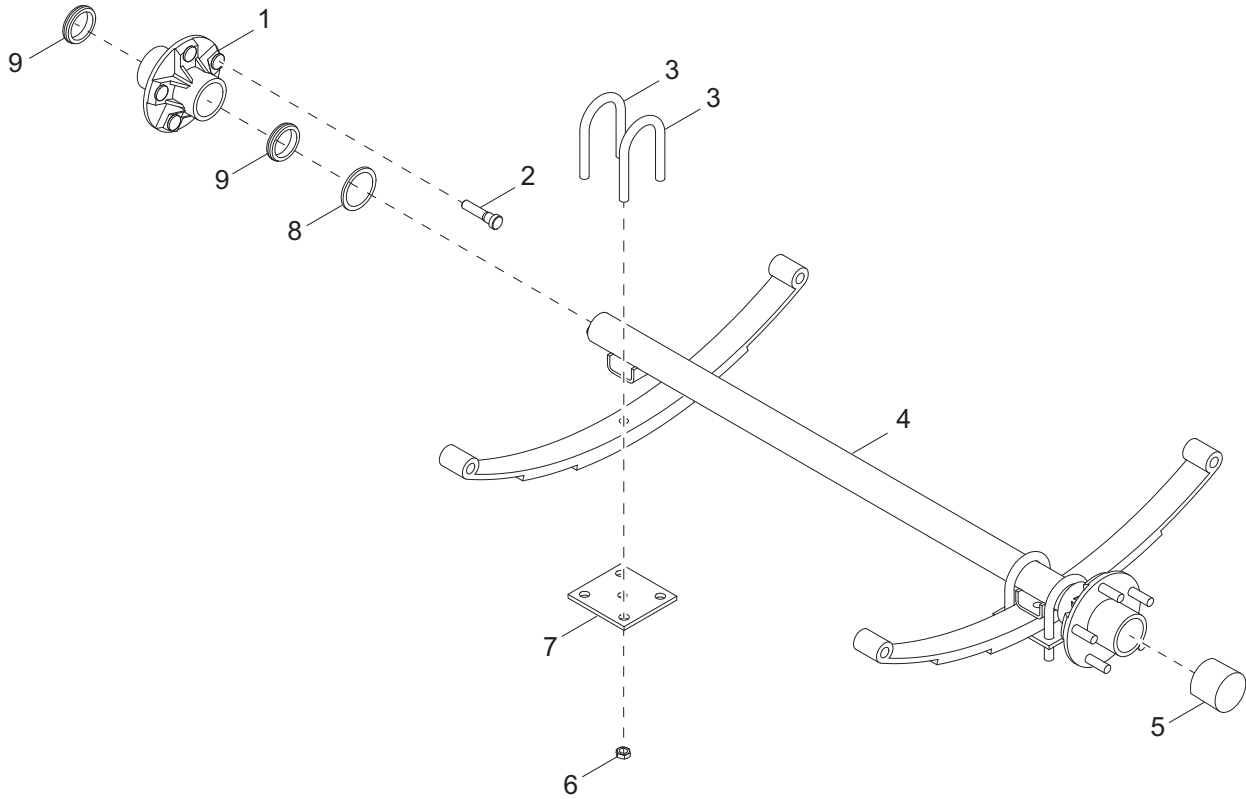
Trailer Plug Adapters: (if equipped)

--	65464	1	Adapter, trailer wiring - flat 4 pin to round 7 pin
----	-------	---	---

Hitches: (if equipped)

A	62221	2	Nut, .500-13 nylock, G5
B	60309	4	Washer, .500 flat 1.060/.090
C	12155B	2	Spacer, coupler
D	50215	2	Screw, .500-13 x 4.00 standard hex, G5
E	13003B	1	Coupler, 2.0 ball/3.0 channel
F	16835B	1	Weldment, lunette ring - 3.0 x 1.0 ring/2.50 tongue
G	34792ZC	1	Weldment, combo hitch - 2.50 tongue

AXLE ASSEMBLY

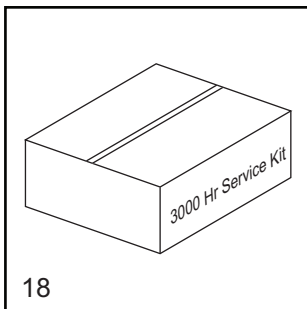
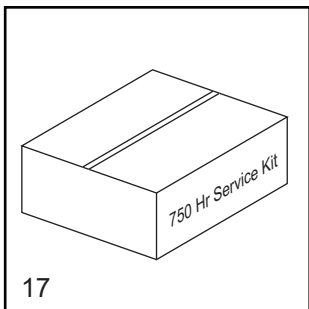
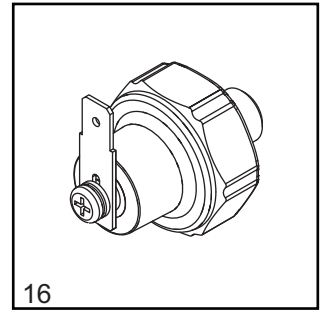
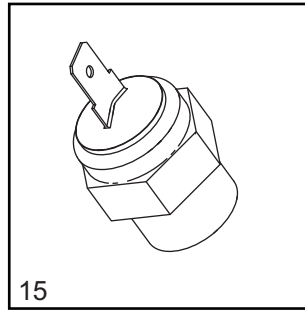
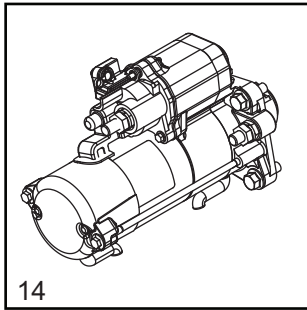
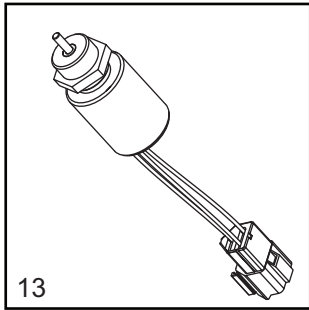
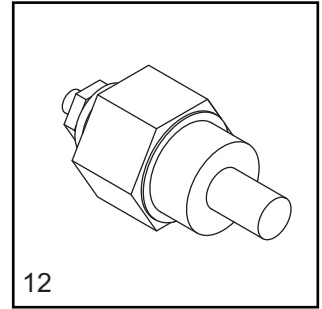
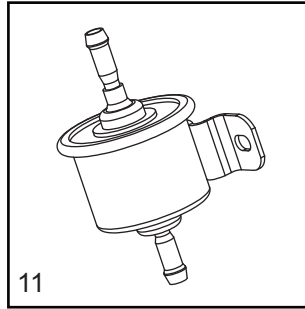
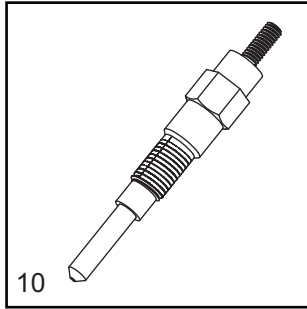
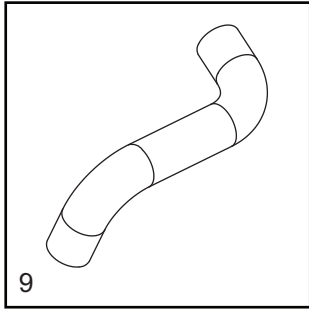
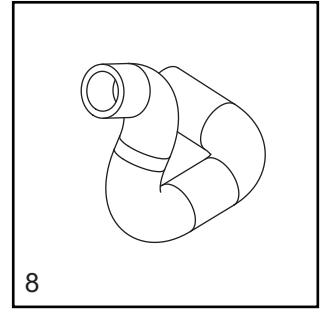
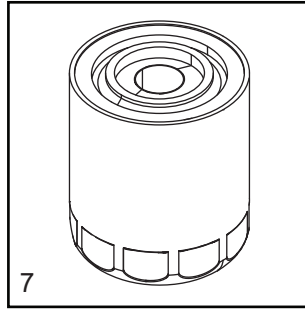
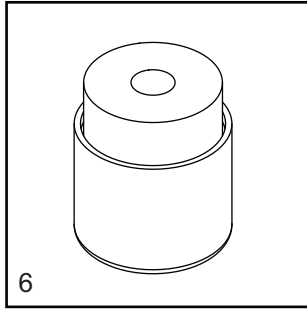
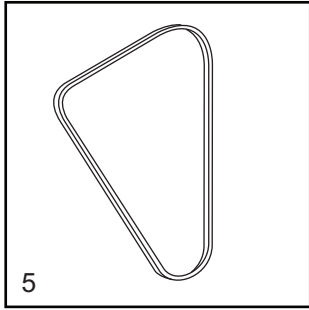
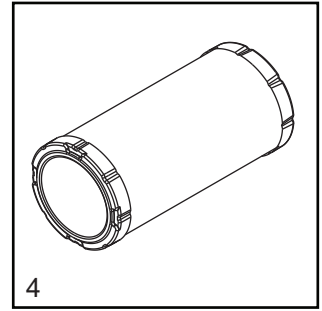
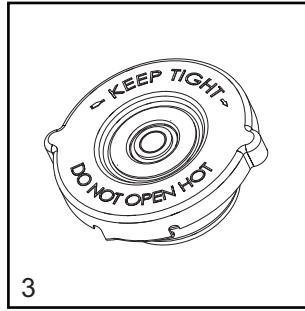
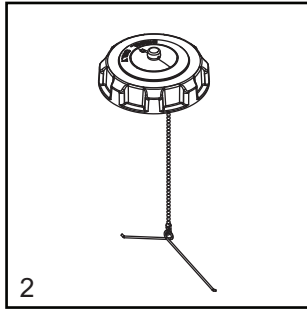
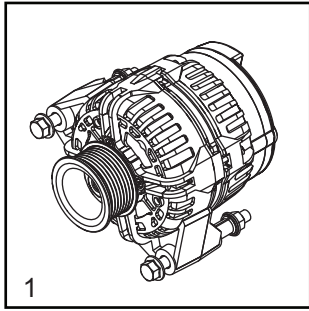


01746

AXLE ASSEMBLY

Item	Part No.	Qty	Description	Notes
1	11206	2	Axle, hub w/studs and outer races	
2	60674	10	Stud, wheel, .500-20 wheel, G8	
3	11201	4	Bolt, U	
4	11100	1	Axle, 2200 lb 40.75TC 31.00SC	
5	12460	2	Cap, wheel bearing	
6	11203	8	Nut, U-bolt, 2200 lb	
7	11202	2	Tie-plate, 2200 lb	
8	13000	2	Seal - 2200 lb	
9	11511	4	Bearing, roller	Includes bearing races

RECOMMENDED SPARE PARTS - ENGINE AND SERVICE KITS - MITSUBISHI



RECOMMENDED SPARE PARTS - ENGINE AND SERVICE KITS - MITSUBISHI

ENGINE

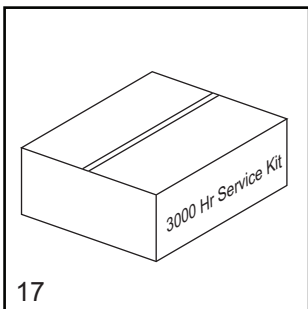
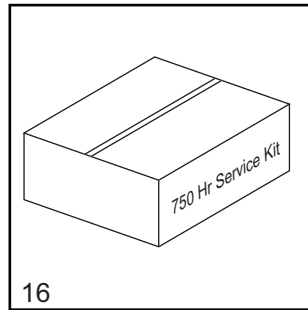
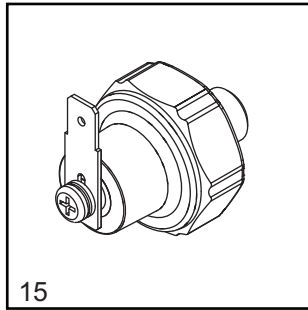
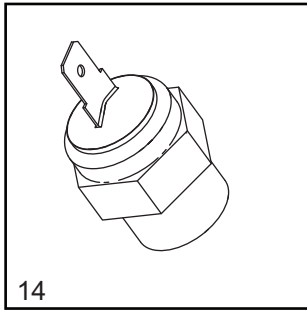
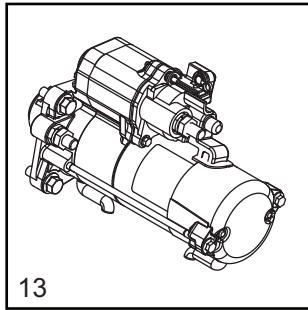
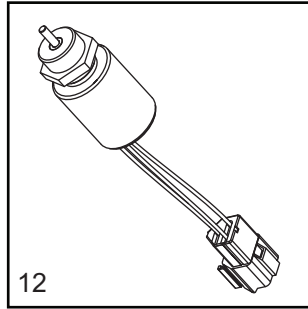
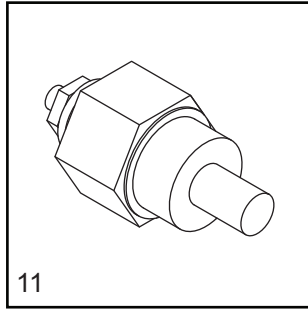
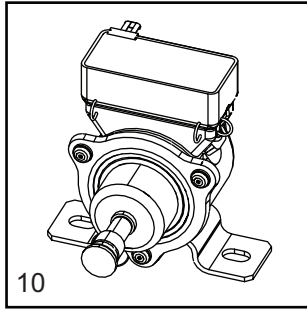
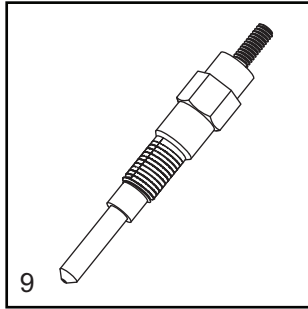
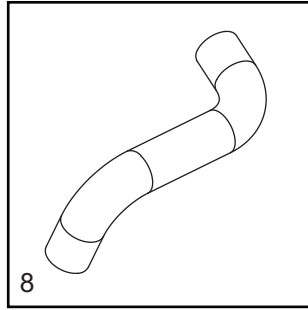
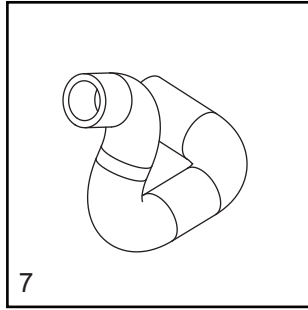
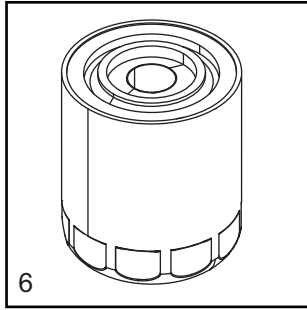
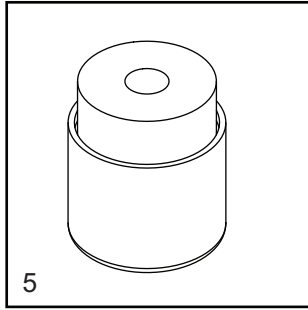
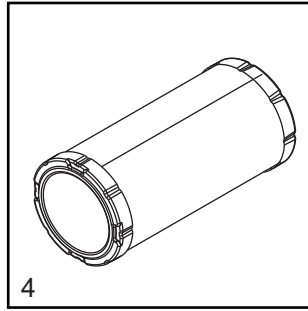
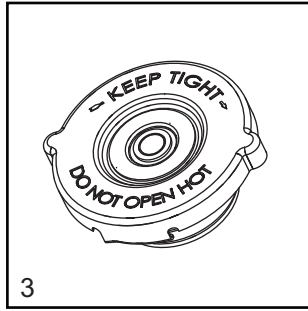
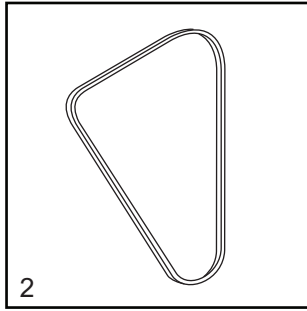
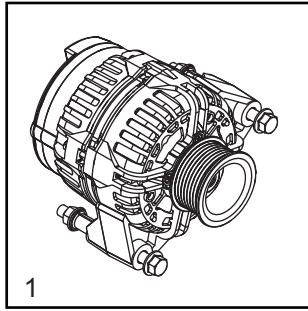
1. Alternator	16743
2. Cap, fuel tank with lanyard	16326
3. Cap, radiator	19219
4. Filter, air (element).....	16444
5. Belt	10386
6. Filter, fuel, Mitsubishi	17647
7. Filter, oil, Mitsubishi (after break-in filter 16691).....	10000014392
8. Hose, radiator - lower	16688SRV
9. Hose, radiator - upper.....	32383SRV
10. Plug, glow	16693SRV
11. Pump, fuel.....	13278SRV
12. Sender, coolant temp.....	11590
13. Solenoid, fuel shutdown	16683
14. Starter	70232
15. Switch, coolant temperature	16678
16. Switch, oil pressure	16677

SERVICE KITS

17. 750 hour kit.....	SK334
Includes: Air Filter 16444, Fuel Filter Element 17647 and Oil Filter 10000014392	

18. 3000 hour kit.....	SK335
Includes: Engine Belt 10388 (2), Air Filter16444 (4), Fuel Filter Element 17647(4), and Oil Filter 10000014392 (4)	

RECOMMENDED SPARE PARTS - ENGINE AND SERVICE KITS - KUBOTA



RECOMMENDED SPARE PARTS - ENGINE AND SERVICE KITS - KUBOTA

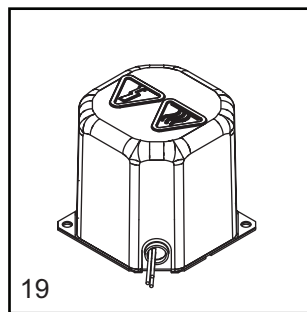
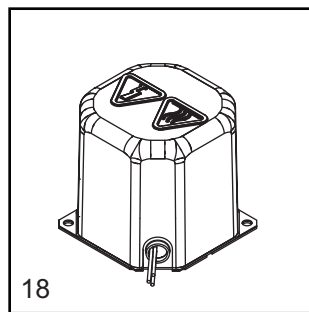
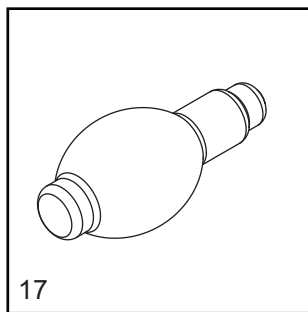
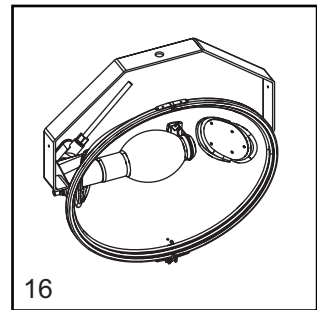
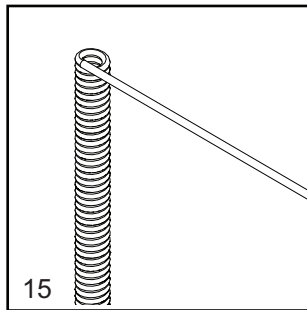
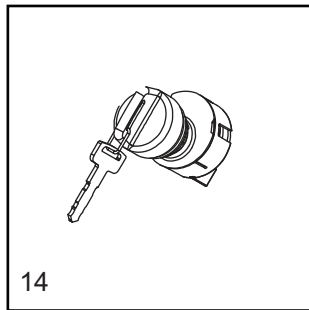
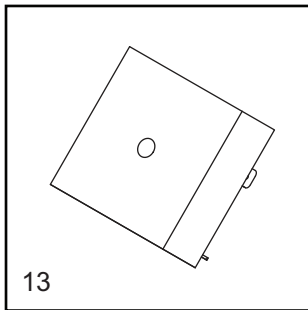
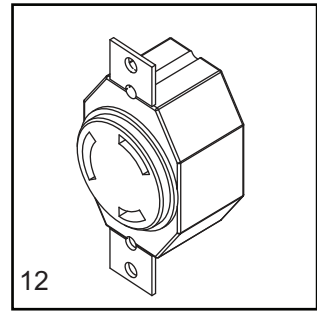
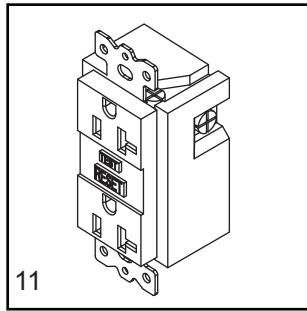
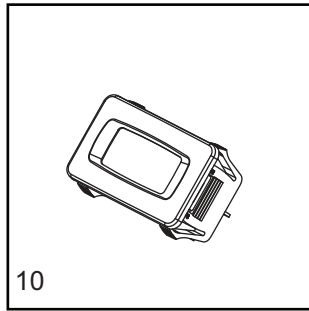
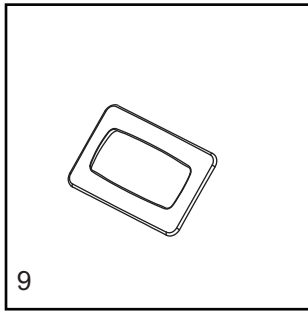
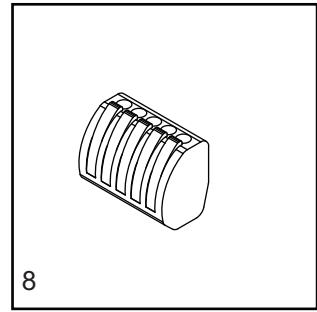
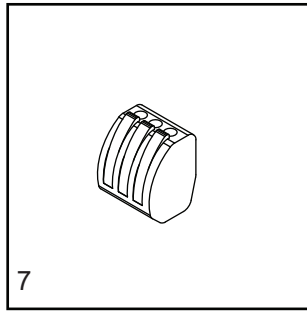
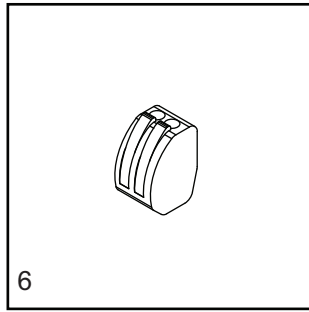
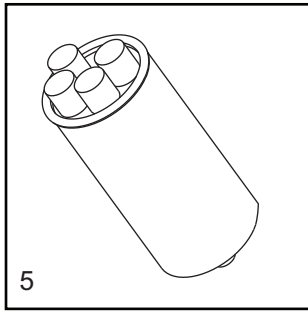
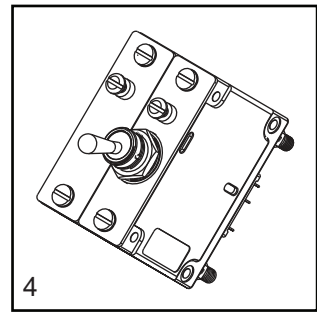
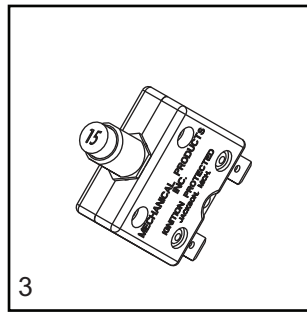
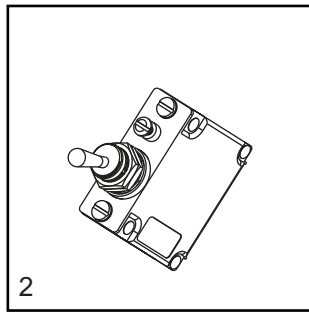
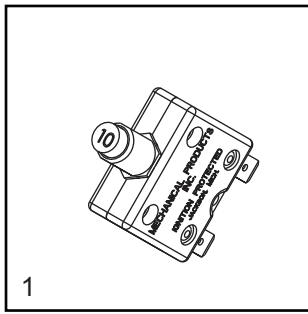
ENGINE

1. Alternator	12486
2. Belt, V, Kubota	11628
3. Cap, radiator	19219
4. Filter, air (element).....	16444
5. Filter, fuel element, Kubota	13515
6. Filter, oil, Kubota D1005/D1105	10775
7. Hose, lower radiator, Kubota	12350
8. Hose, upper radiator Kubota	36977
9. Plug, glow, Kubota (start SN 489916)	13238
10. Pump, fuel	13278SRV
11. Sender, coolant temp	12873
12. Solenoid, fuel shutdown (2 wire)	13018
13. Starter- Kubota D1005.....	30582
14. Switch, coolant temperature - Kubota D850	14099
15. Switch, oil pressure, Kubota D905	15375

SERVICE KITS

16. 750 hour kit.....	SK151
Includes: Air Filter Element 16444, Fuel Filter Element 13515 and Oil Filter 10775	
17. 3000 hour kit.....	SK152
Includes: Engine Belt 11628 (4), Air Filter Element 16444 (4), Fuel Filter Element 13515 (4), and Oil Filter 10775 (4)	

RECOMMENDED SPARE PARTS - ELECTRICAL

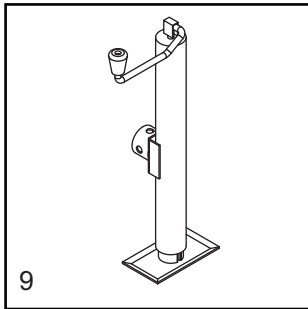
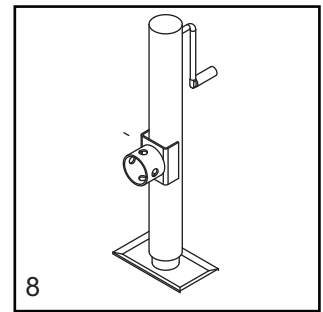
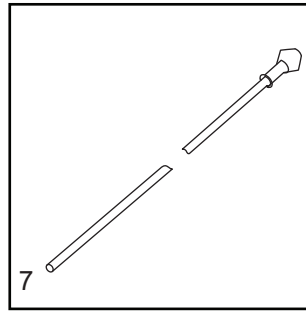
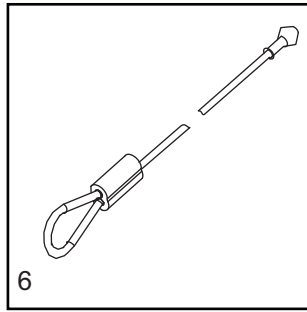
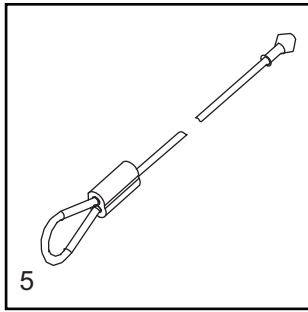
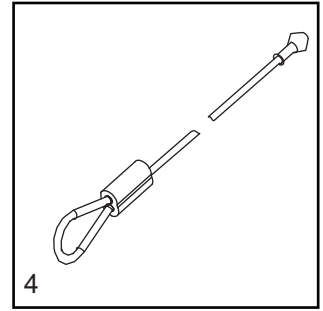
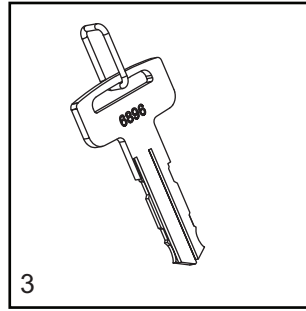
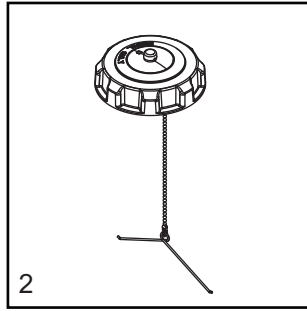
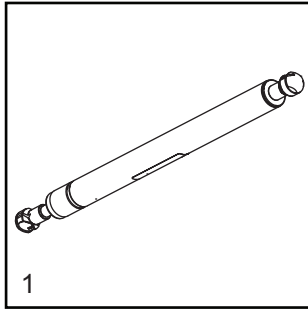


RECOMMENDED SPARE PARTS - ELECTRICAL

ELECTRICAL

1. Breaker, 10A, 240V, 1 pole, push button	36937
2. Switch, light 15A	36880
3. Breaker, 15A, 120V, 1 pole, push button, 8kW	36935
4. Breaker, 30A, 250A, 2 pole, 6kW	36975
5. Capacitor, 24 μ F/24 μ F, 5% 540VAC dual - 1100W	10000024477
6. Connector, 2 position (qty - 4)	66100
7. Connector, 3 position (qty - 2)	66101
8. Connector, 5 position (qty - 1)	66102
9. Gasket, hour meter	36944
10. Gauge, hour meter	36886
11. Receptacle, 120V/20A GFI	14130
12. Receptacle, 240V/30A twist	14137
13. Relay, 10A SPDT, 15 second time delay	14201
14. Switch, key	15195SRV
15. Coil cord	39650
16. Assembly, light fixture, 1100W MH	10000022353
Assembly, light fixture, 1050W MH	10000008620
17. Bulb, 1100W MH	10000022381
Bulb, 1050W MH	10000008611
18. Assembly, transformer can/base 60Hz MH 5.5 (1100W)	10000036333
19. Assembly, transformer can/base 60Hz MH 5.5 (1000-1050W)	10656SRV

RECOMMENDED SPARE PARTS - MISC



RECOMMENDED SPARE PARTS - MISC

ENCLOSURE

- 1. Gas shock..... 35137
- 2. Cap, fuel tank with lanyard 16326
- 3. Key (set of two)..... 15309

MAST

- 4. Cable, 69.25 in 34128
- 5. Cable, 69.75 in 34129
- 6. Cable, 67.875 in 34130
- 7. Cable, 116.00 in..... 34132

JACKS

- 8. Jack, side wind, 2000 lb 13050
- 9. Jack, top wind, 2000 lb 13051

Part No. 35116 Rev. **B** 06/05/2018

©2018 Generac Mobile Products, LLC
All rights reserved.

Specifications are subject to change without notice.
No reproduction allowed in any form without prior written consent
from Generac Mobile Products, LLC.

GENERAC

**MOBILE
PRODUCTS**

Generac Mobile Products, LLC
215 Power Drive, Berlin, WI 54923

GeneracMobileProducts.com | 800-926-9768 | 920-361-4442